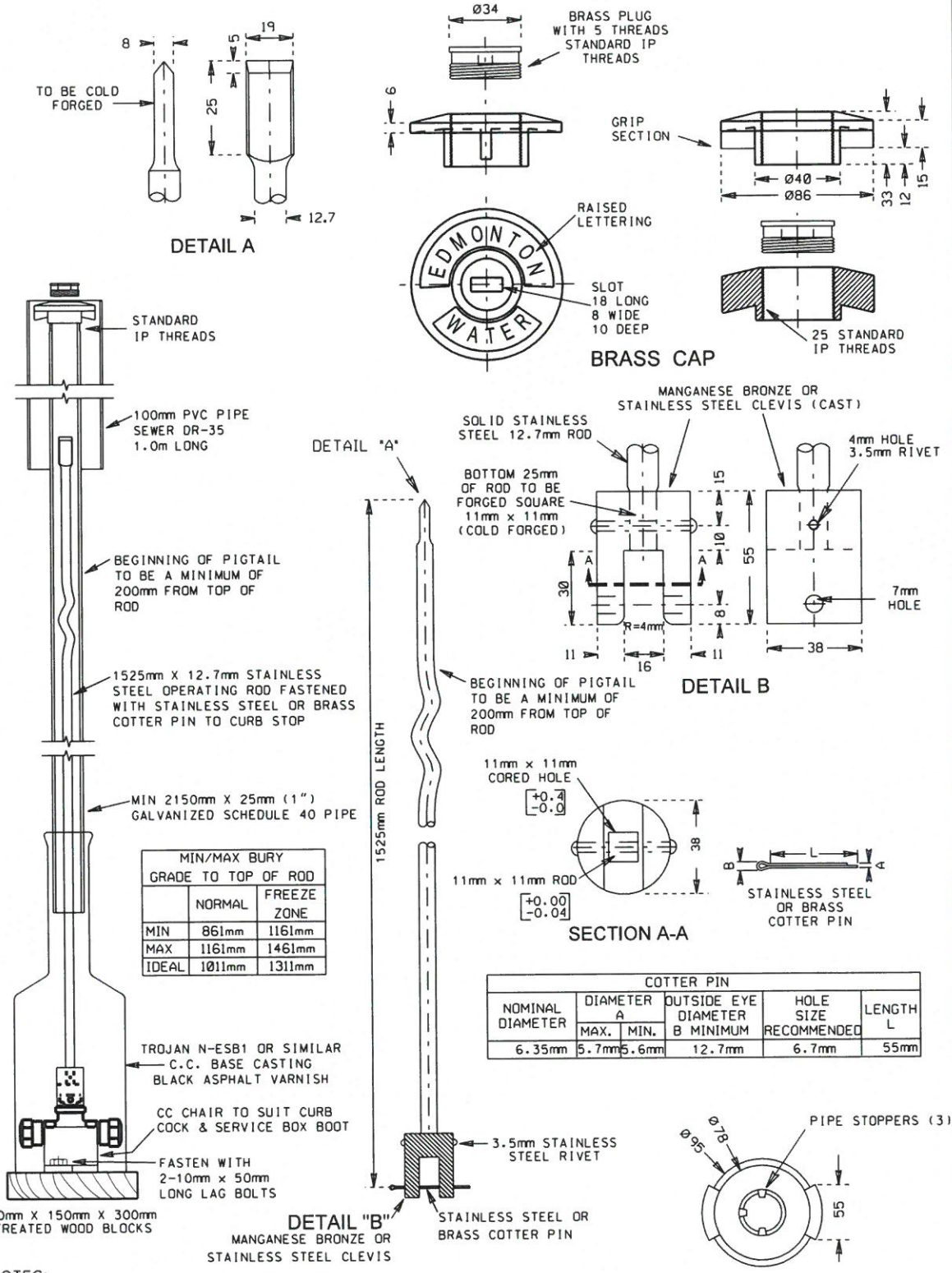


20170215 09:40 cawright 2514-3b.DGN



	MIN/MAX BURY GRADE TO TOP OF ROD	
	NORMAL	FREEZE ZONE
MIN	861mm	1161mm
MAX	1161mm	1461mm
IDEAL	1011mm	1311mm

NOMINAL DIAMETER	DIAMETER A		OUTSIDE EYE DIAMETER B MINIMUM	HOLE SIZE RECOMMENDED	LENGTH L
	MAX.	MIN.			
6.35mm	5.7mm	5.6mm	12.7mm	6.7mm	55mm

- NOTES:
1. ALL DIMENSIONS ARE IN MILLIMETRES UNLESS OTHERWISE SPECIFIED.
 2. OPERATING ROD SHALL BE SUPPLIED AS A SINGLE UNIT COMPRISED OF A SOLID STAINLESS STEEL ROD, ATTACHED TO CLEVIS WITH A STAINLESS STEEL RIVET.
 3. THE MANUFACTURER'S NAME SHALL BE EMBOSSED ONTO THE CLEVIS.

	SERVICE BOX DETAIL FOR 20mm, 25mm WATER SERVICE (ONE PIECE CASING)			DRAWING NUMBER
	APPROVED MARCH 2017	DRAWN BY DV/CW	APPROVED 	2514-03b
	SCALE N T S	CHECKED BY Filip D.	DIRECTOR, WATER DISTRIBUTION AND TRANSMISSION	