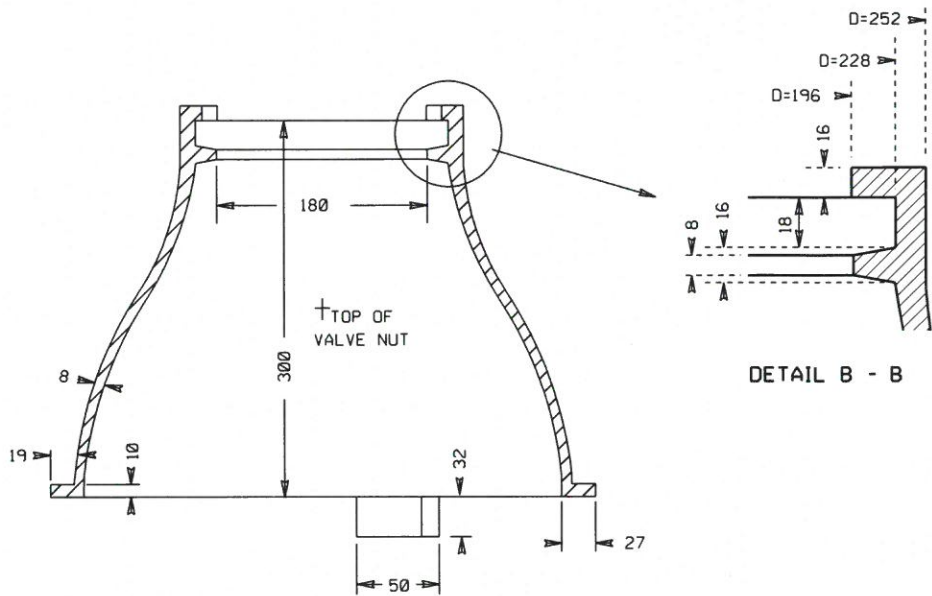


TOP VIEW



CROSS SECTION A - A

**MANUFACTURING TOLERANCES:**

- ± 2mm FOR INDICATED CASTING DIMENSIONS OF 190mm OR LESS
- ± 3mm FOR INDICATED CASTING DIMENSIONS OF 191mm TO 280mm
- ± 4mm FOR INDICATED CASTING DIMENSIONS OF 281mm TO 380mm

**NOTES:**

1. ALL DIMENSIONS ARE IN MILLIMETRES UNLESS OTHERWISE SPECIFIED.
2. MATERIAL: DUCTILE IRON TO ASTM 536 GRADE 60-40-18.

20170214 15:09 cawright 2512-5.DGN

	VALVE BONNET			DRAWING NUMBER
	APPROVED <b>MARCH 2017</b>	DRAWN BY <b>Dole Vandenberg</b>	APPROVED 	2512-05
	SCALE <b>N T S</b>	CHECKED BY <b>Doug S.</b>	DIRECTOR, WATER DISTRIBUTION AND TRANSMISSION	REVISION 0