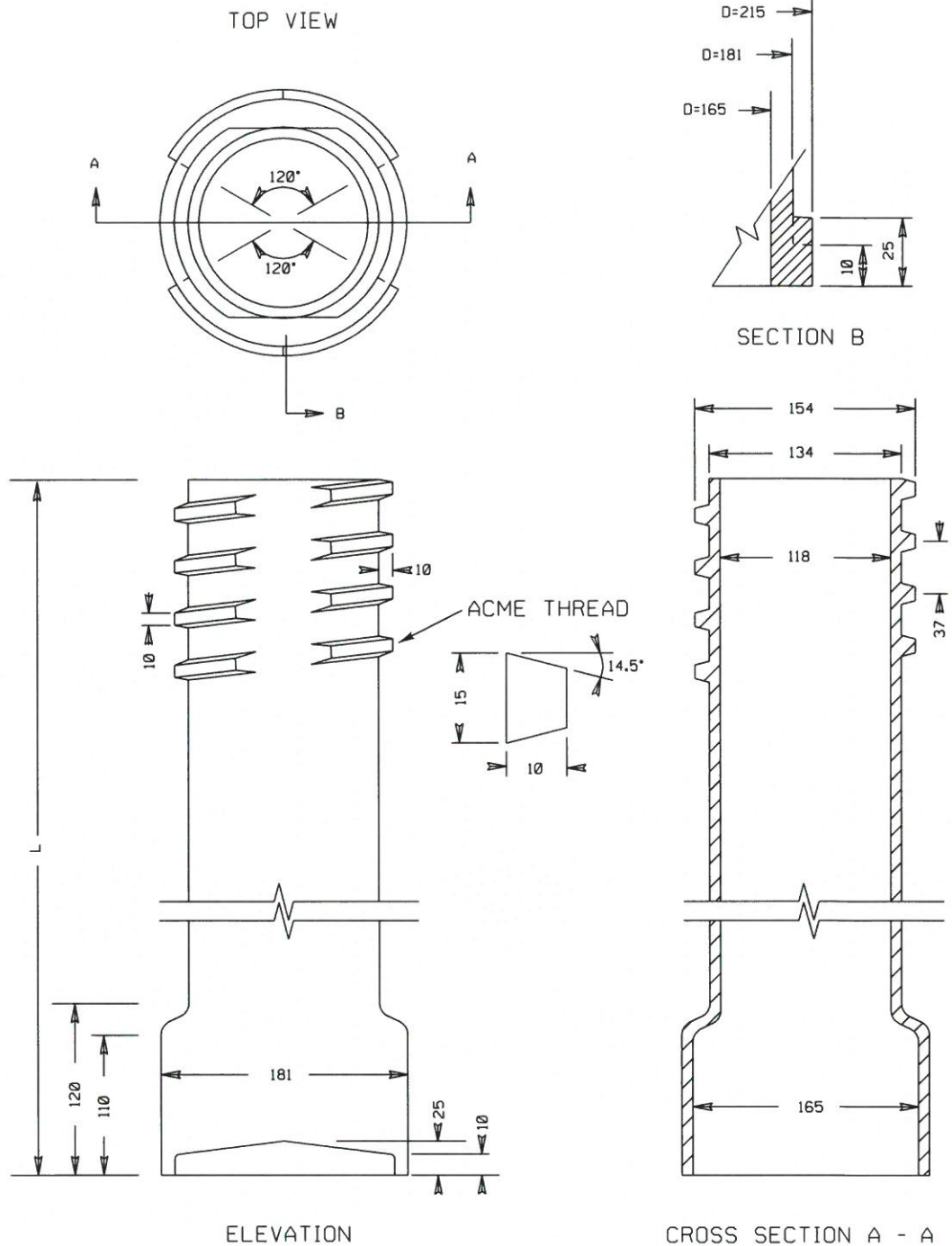


20170214 15:07 cawright 2512-4.DGN



MANUFACTURING TOLERANCES:
 ± 2mm FOR INDICATED CASTING DIMENSIONS OF 190mm OR LESS
 ± 3mm FOR INDICATED CASTING DIMENSIONS OF 191mm TO 280mm
 ± 4mm FOR INDICATED CASTING DIMENSIONS OF 281mm TO 380mm

NOTES:
 1. ALL DIMENSIONS ARE IN MILLIMETRES UNLESS OTHERWISE SPECIFIED.
 2. L (LENGTH) SIZES ARE 900, 1200 AND 1500mm
 3. MINIMUM 300mm OF THREADS AVAILABLE FROM TOP SECTION TO BOTTOM SECTION FOR RAISING AND LOWERING.

	VALVE CASING BOTTOM SECTION			DRAWING NUMBER
	APPROVED MARCH 2017	DRAWN BY DV/CW	APPROVED 	2512-04
	SCALE N T S	CHECKED BY David M.	DIRECTOR, WATER DISTRIBUTION AND TRANSMISSION	REVISION 0