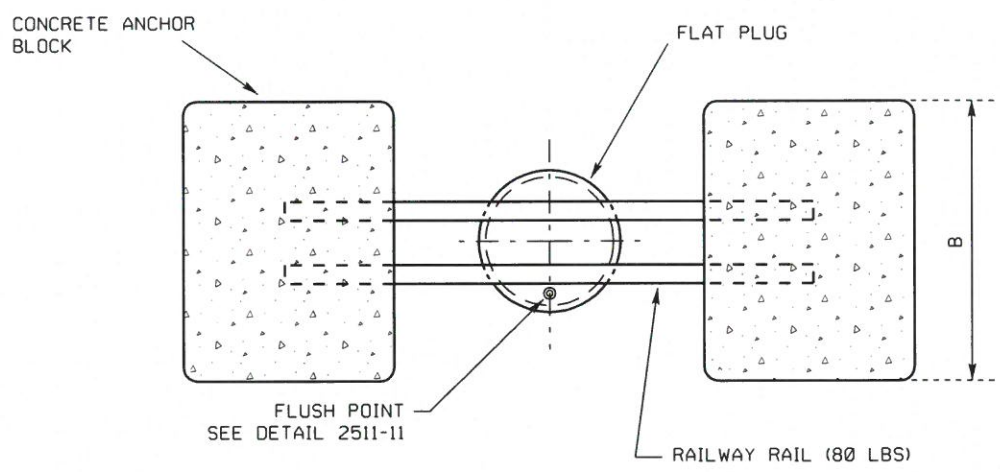


PLAN VIEW



ELEVATION

NOTES:

1. ALL DIMENSIONS ARE IN MILLIMETERS UNLESS OTHERWISE SPECIFIED.
2. DESIGN BASIS:
 - i. 450 & 600 DIA - HYDRAULIC PRESSURE 1035kpa (150 psi)
 - ii. SOIL BEARING CAPACITY 72 kpa (1500 lb/sq. ft) MEDIUM SOFT CLAY.
3. CONCRETE STRENGTH SHALL BE 25 MPa AT 28 DAYS.
4. CONCRETE TO BE CLEAR OF ALL BELLS AND PIPE.
5. CONCRETE TO BE SULPHATE RESISTANT ACCORDING TO CSA-A3000-13.

DIA (mm)	450	600
A (mm)	1100	1400
B (mm)	1100	1500
C (mm)	800	900
Area m ²	2.348	4.105

20170214 14:48 cawright 2511-12.DGN

	450mm AND 600mm BLOCK AND RAIL PLUG DETAIL			DRAWING NUMBER
	APPROVED MARCH 2017	DRAWN BY DV/CW	APPROVED	2511-12
SCALE N T S	CHECKED BY David M.	DIRECTOR, WATER DISTRIBUTION AND TRANSMISSION		REVISION 0