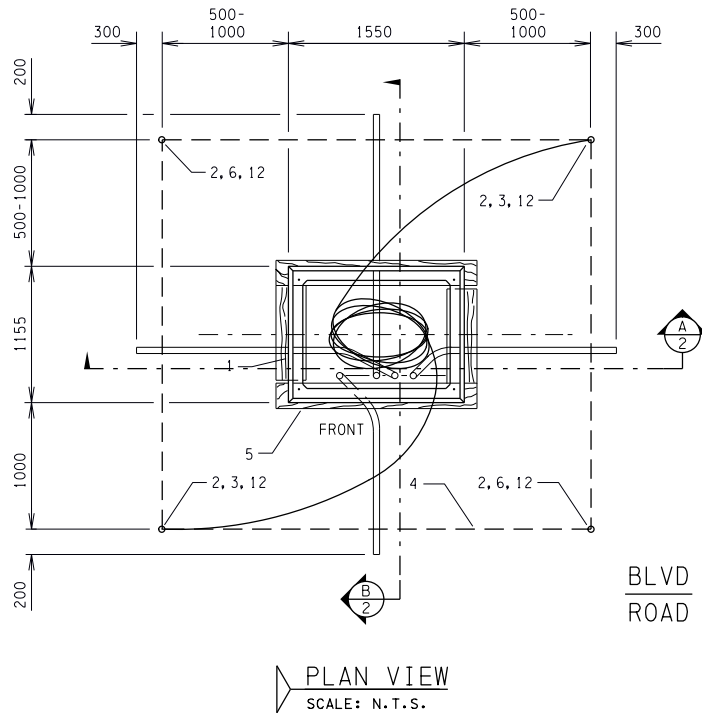



DRAWING 7 - PART 1: INSTALLATION OF PRECAST CONCRETE BASE FOR 4-WAY 25 KV SINGLE-PHASE 200 AMP DEAD FRONT SWITCHING CUBICLE



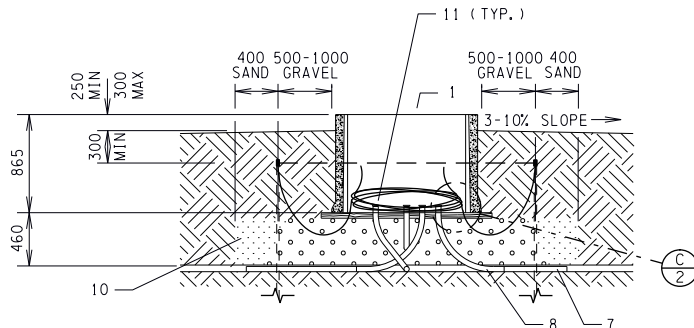
NOTES:

1. INTERCONNECTING GRADIENT CONTROL CONDUCTORS SHALL BE INSTALLED A MINIMUM OF 300 mm BELOW FINAL FINISHED GRADE (NOT ROUGH GRADE) WITH ONE LEG CONTINUOUS AROUND THE PERIMETER AND INTO THE BASE WITH AN ADDITIONAL CONTINUOUS CONDUCTOR TAIL ATTACHED FROM THE OPPOSITE CORNER.
2. USE FINE FILL CLAY BACKFILL AROUND GROUND GRID.
3. OBSERVE 250 mm MINIMUM AND 300 mm MAXIMUM REQUIREMENT FOR ELEVATION FROM TOP OF BASE TO FINAL FINISHED GRADE (NOT ROUGH GRADE).
4. CABLES ARE TO BE INSTALLED THROUGH DUCTS ONLY.
5. RETAIN 5.0 m OF COILED 4/0 Cu FOR CONNECTION TO GROUND BUS.
6. THE DUCTING SHOULD BE INSTALLED SO THAT THE ENDS ARE POINTING DIRECTLY UPWARDS WITH THE TOP OF THE END BELL 200 mm ABOVE THE PLANKS/BASE BOTTOM. SPARE DUCTS TO BE CAPPED AND TAPED.
7. ADDITIONAL GROUND ROD MAY BE REQUIRED TO ACHIEVE A RESISTANCE OF 6 OHMS OR LESS.
8. ALL PRIMARY CABLES TO HAVE 5 m EXTRA CABLE COILED IN BASE.
9. THE BASE SHALL BE INSTALLED SUCH THAT THE TOP SURFACE IS LEVEL.
10. BASE WEIGHT: 1585 kg (3494 lbs).

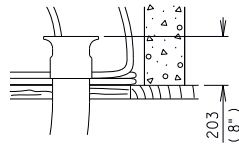
ALL DIMENSIONS IN MILLIMETERS (INCHES) UNLESS OTHERWISE SPECIFIED.

 CUSTOMER CONNECTION GUIDE	INSTALLATION OF PRECAST CONCRETE BASE FOR 4-WAY 25 KV SINGLE PHASE 200 AMP DEAD FRONT SWITCHING CUBICLE		
DATE REVISED: 2016-12-05	DRAWING NO. : 007	REFERENCE NO. 66 CC 07 25 23 114	PAGE NO. 1 / 5

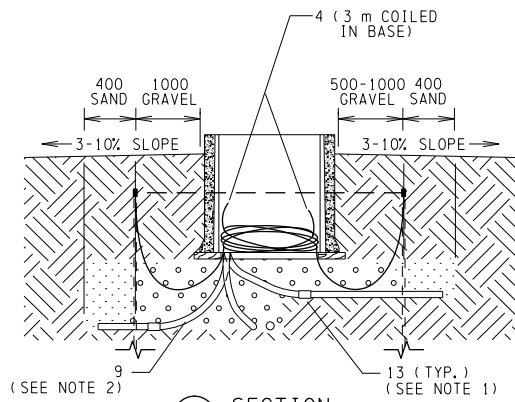
DRAWING 7 - PART 2: INSTALLATION OF PRECAST CONCRETE BASE FOR 4-WAY 25 KV SINGLE-PHASE 200 AMP DEAD FRONT SWITCHING CUBICLE



A SECTION
SCALE: N.T.S.



C DETAIL
SCALE: N.T.S.




B SECTION
SCALE: N.T.S.

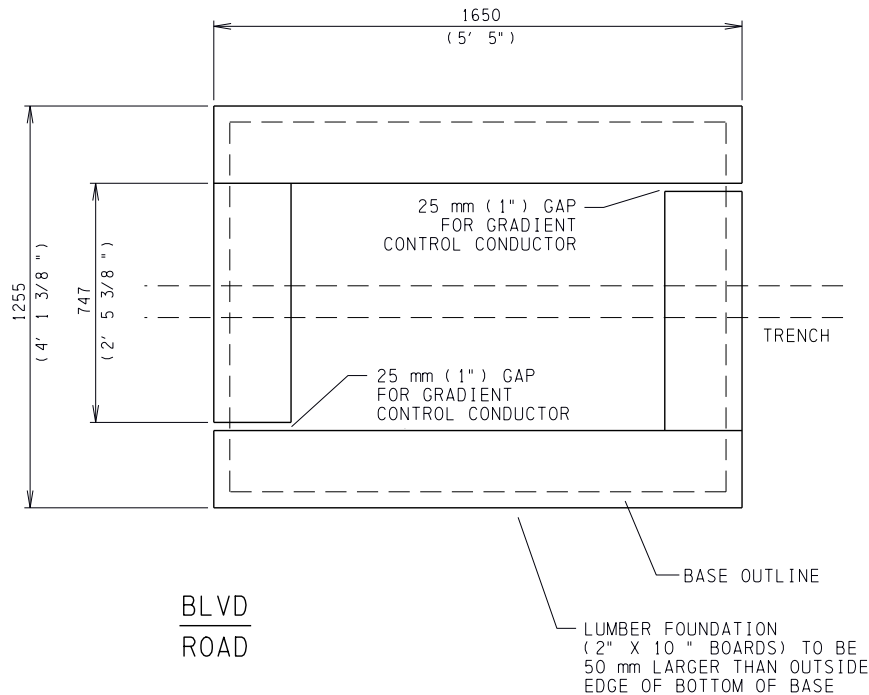
NOTES:

1. ADAPTER COUPLING IS REQUIRED FOR DB2 CONDUIT.
2. 36" RADIUS BENDS ARE PREFERRED FOR ALL DUCT BENDS.

ALL DIMENSIONS IN MILLIMETERS (INCHES) UNLESS OTHERWISE SPECIFIED.

 CUSTOMER CONNECTION GUIDE		INSTALLATION OF PRECAST CONCRETE BASE FOR 4-WAY 25 KV SINGLE PHASE 200 AMP DEAD FRONT SWITCHING CUBICLE	
DATE REVISED: 2016-12-05	DRAWING NO.: 007	REFERENCE NO. 66 CC 07 25 23 114	PAGE NO. 2/5

DRAWING 7 - PART 3: INSTALLATION OF PRECAST CONCRETE BASE FOR 4-WAY 25 KV SINGLE-PHASE 200 AMP DEAD FRONT SWITCHING CUBICLE



LUMBER FOUNDATION
SCALE: N. T. S.

NOTES:

1. LUMBER FOUNDATION TO BE 2" x 10" PRESSURE TREATED SPRUCE WITH 2 - 1650 mm AND 2 - 747 mm LENGTHS (50 mm MAXIMUM LEDGE ON OUTSIDE).
2. RE-TREAT CUT ENDS OF LUMBER FOUNDATION BOARDS WITH COPPER NAPHTHANATE WOOD PRESERVATIVE.

ALL DIMENSIONS IN MILLIMETERS (INCHES) UNLESS OTHERWISE SPECIFIED.



CUSTOMER CONNECTION
GUIDE

INSTALLATION OF PRECAST CONCRETE
BASE FOR 4-WAY 25 KV SINGLE PHASE
200 AMP DEAD FRONT SWITCHING CUBICLE

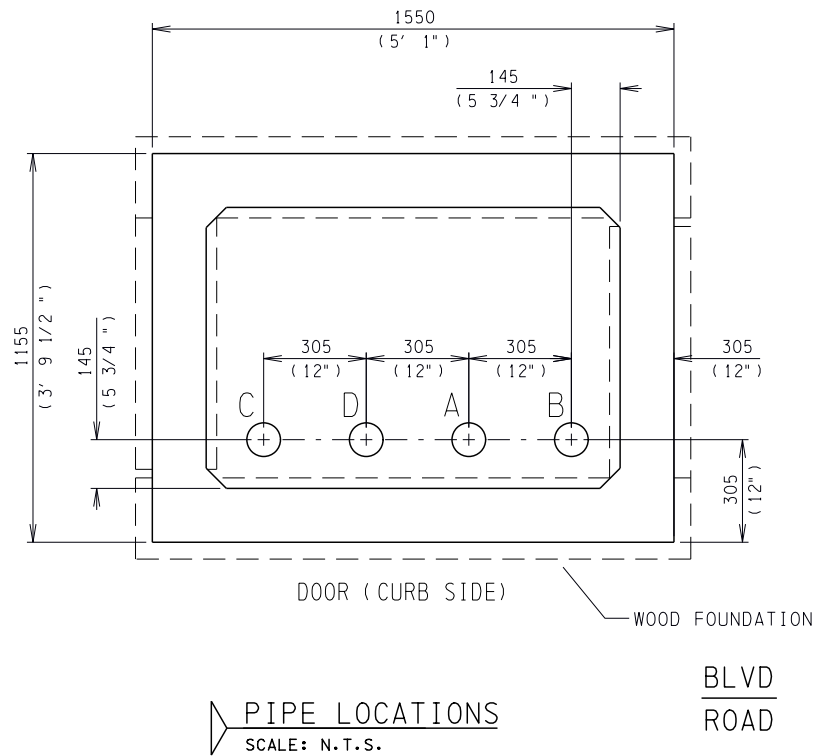
DATE REVISED:
2016-12-05

DRAWING NO. :
007

REFERENCE NO.
66 CC 07 25 23 114

PAGE NO.
3/5

DRAWING 7 - PART 4: INSTALLATION OF PRECAST CONCRETE BASE FOR 4-WAY 25 KV SINGLE-PHASE 200 AMP DEAD FRONT SWITCHING CUBICLE



NOTES:

1. ALL PIPES SHOULD BE DB2 OR RIGID PVC, BENDS TO BE RIGID PVC.
2. ALL MEASUREMENTS ARE TO THE OUTSIDE "TOP" OF THE BASE.

ALL DIMENSIONS IN MILLIMETERS (INCHES) UNLESS OTHERWISE SPECIFIED.



CUSTOMER CONNECTION
GUIDE

INSTALLATION OF PRECAST CONCRETE
BASE FOR 4-WAY 25 KV SINGLE PHASE
200 AMP DEAD FRONT SWITCHING CUBICLE


DATE REVISED:

DRAWING NO.:

REFERENCE NO.

PAGE

**DRAWING 7 - PART 5:
 INSTALLATION OF PRECAST CONCRETE BASE FOR 4-WAY
 25 KV SINGLE-PHASE 200 AMP DEAD FRONT SWITCHING
 CUBICLE**

ITEM	PART DESCRIPTION	STOCK No.	QTY.
1	BASE PRECAST 200 AMP 25 KV 4-WAY 1 PHASE DEADFRONT SWITCHING CUBICLE	56200	1
2	ROD GROUNDING 5/8" x 5'	17288	8
3	CONNECTOR GROUND ROD 3/4" - 250 DOUBLE WIRE	9136	2
4	WIRE #4/0 STRANDED COPPER BARE	45655	35m
5	LUMBER SPRUCE PRESSURE-TREATED - 2" x 10" x 8' PWF (RE-TREAT CUT ENDS)	13235	2
6	CONNECTOR GROUND 3/4" ROD - 250 1/C	31914	2
7	PIPE DUCT 4"	AS REQ' D	A/R
	DB2 - 4"	53283	
	RIGID PVC - 4"	10083	
8	ROAD CRUSH - 20 mm	N/A	A/R
9	BEND RIGID PVC	AS REQ' D	4
	4" 90 DEGREE 24" RADIUS PLAIN ENDS	44327	
	4" 90 DEGREE 36" RADIUS PLAIN ENDS	22960	
10	SAND	N/A	A/R
11	END BELL COLLAR - RIGID PVC - 4"	20574	A/R
12	COUPLER - GROUND ROD	17289	4
13	COUPLING ADAPTER 4" DB2 TO 4" PVC	38916	A/R
 CUSTOMER CONNECTION GUIDE		INSTALLATION OF PRECAST CONCRETE BASE FOR 4-WAY 25 KV SINGLE PHASE 200 AMP DEAD FRONT SWITCHING CUBICLE	
DATE REVISED: 2016-12-05	DRAWING NO.: 007	REFERENCE NO. 66 CC 07 25 23 114	PAGE NO. 5/5

20170126 16:22 r lawrie