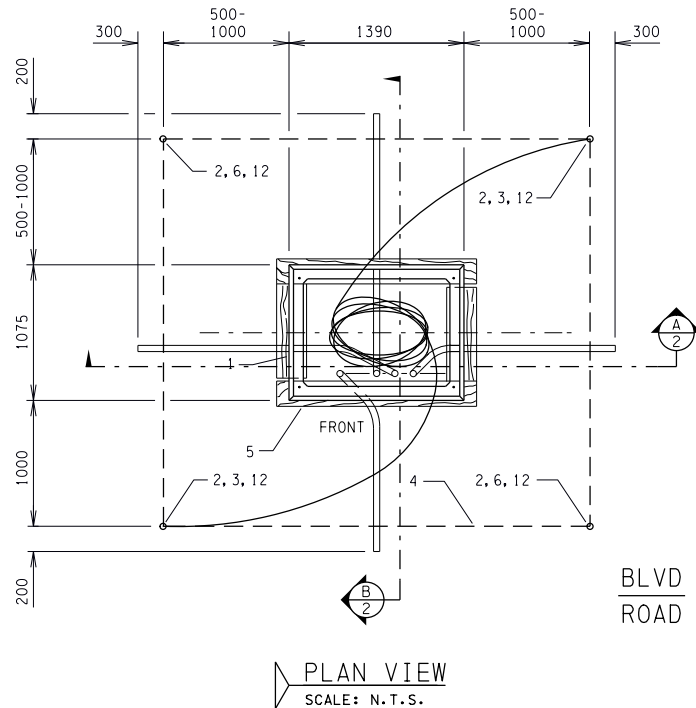



DRAWING 6 - PART 1: INSTALLATION OF PRECAST CONCRETE BASE FOR 4-WAY 15 KV SINGLE-PHASE 200 AMP DEAD FRONT SWITCHING CUBICLE



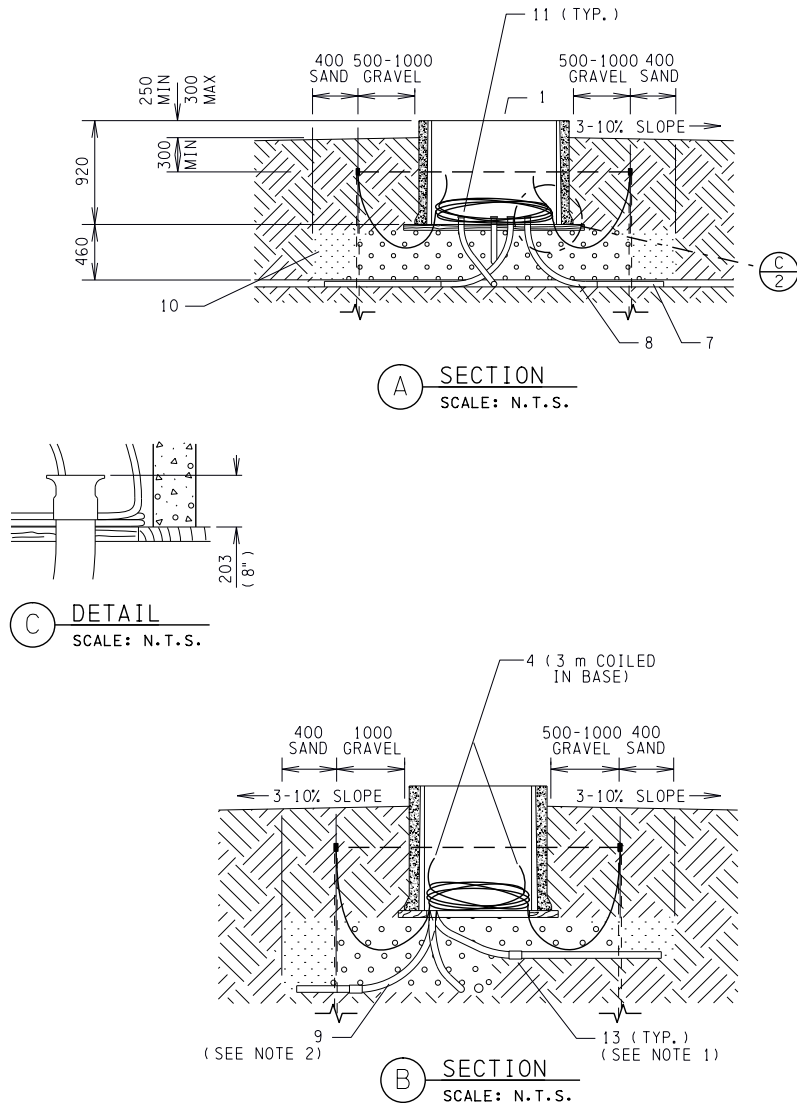
NOTES:

1. INTERCONNECTING GRADIENT CONTROL CONDUCTORS SHALL BE INSTALLED A MINIMUM OF 300 mm BELOW FINAL FINISHED GRADE (NOT ROUGH GRADE) WITH ONE LEG CONTINUOUS AROUND THE PERIMETER AND INTO THE BASE WITH AN ADDITIONAL CONTINUOUS CONDUCTOR TAIL ATTACHED FROM THE OPPOSITE CORNER.
2. USE FINE FILL CLAY BACKFILL AROUND GROUND GRID.
3. OBSERVE 250 mm MINIMUM AND 300 mm MAXIMUM REQUIREMENT FOR ELEVATION FROM TOP OF BASE TO FINAL FINISHED GRADE (NOT ROUGH GRADE).
4. CABLES ARE TO BE INSTALLED THROUGH DUCTS ONLY.
5. RETAIN 5.0 m OF COILED 4/0 Cu FOR CONNECTION TO GROUND BUS.
6. THE DUCTING SHOULD BE INSTALLED SO THAT THE ENDS ARE POINTING DIRECTLY UPWARDS WITH THE TOP OF THE END BELL 200 mm ABOVE THE PLANKS/BASE BOTTOM. SPARE DUCTS TO BE CAPPED AND TAPED.
7. ADDITIONAL GROUND ROD MAY BE REQUIRED TO ACHIEVE A RESISTANCE OF 6 OHMS OR LESS.
8. ALL PRIMARY CABLES TO HAVE 5 m EXTRA CABLE COILED IN BASE.
9. THE BASE SHALL BE INSTALLED SUCH THAT THE TOP SURFACE IS LEVEL.
10. BASE WEIGHT: 1175 kg (2590 lbs).

ALL DIMENSIONS IN MILLIMETERS (INCHES) UNLESS OTHERWISE SPECIFIED.

 CUSTOMER CONNECTION GUIDE	INSTALLATION OF PRECAST CONCRETE BASE FOR 4-WAY 15 KV SINGLE PHASE 200 AMP DEAD FRONT SWITCHING CUBICLE		
DATE REVISED: 2016-12-05	DRAWING NO. : 006	REFERENCE NO. 66 CC 07 15 23 114	PAGE NO. 1 / 5

DRAWING 6 - PART 2: INSTALLATION OF PRECAST CONCRETE BASE FOR 4-WAY 15 KV SINGLE-PHASE 200 AMP DEAD FRONT SWITCHING CUBICLE



NOTES:

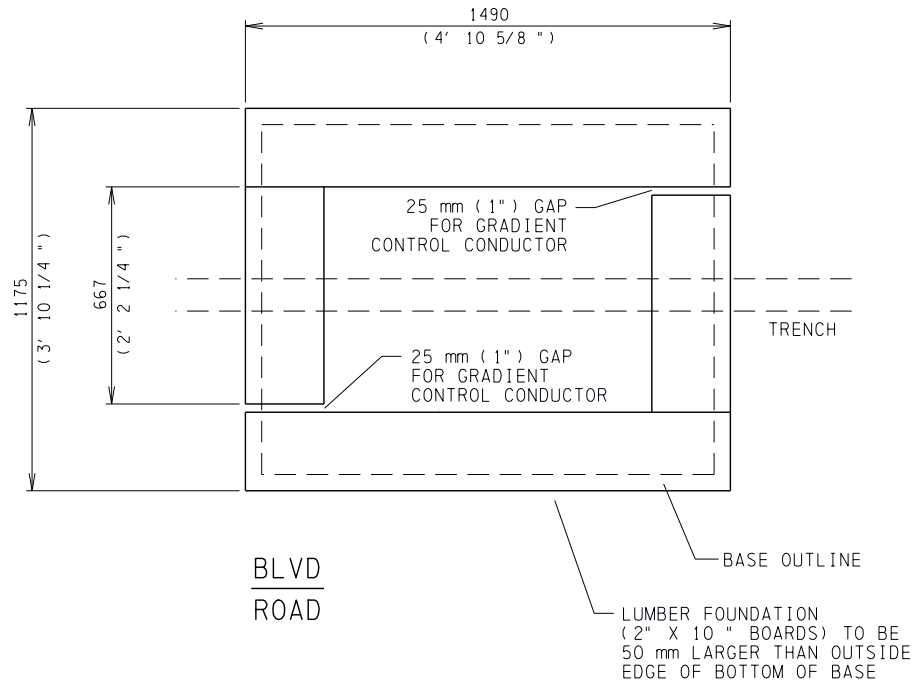
1. ADAPTER COUPLING IS REQUIRED FOR DB2 CONDUIT.
 2. 36" RADIUS BENDS ARE PREFERRED FOR ALL DUCT BENDS.
- .L DIMENSIONS IN MILLIMETERS (INCHES) UNLESS OTHERWISE SPECIFIED.



CUSTOMER CONNECTION
GUIDE

INSTALLATION OF PRECAST CONCRETE
BASE FOR 4-WAY 15 KV SINGLE PHASE
200 AMP DEAD FRONT SWITCHING CUBICLE

DRAWING 6 - PART 3: INSTALLATION OF PRECAST CONCRETE BASE FOR 4-WAY 15 KV SINGLE-PHASE 200 AMP DEAD FRONT SWITCHING CUBICLE



 LUMBER FOUNDATION
SCALE: N.T.S.

NOTES:

1. LUMBER FOUNDATION TO BE 2" x 10" PRESSURE TREATED SPRUCE WITH 2 - 1490 mm AND 2 - 667 mm LENGTHS (50 mm MAXIMUM LEDGE ON OUTSIDE).
2. RE-TREAT CUT ENDS OF LUMBER FOUNDATION BOARDS WITH COPPER NAPHTHANATE WOOD PRESERVATIVE.

.L DIMENSIONS IN MILLIMETERS (INCHES) UNLESS OTHERWISE SPECIFIED.



CUSTOMER CONNECTION
GUIDE

INSTALLATION OF PRECAST CONCRETE
BASE FOR 4-WAY 15 KV SINGLE PHASE
200 AMP DEAD FRONT SWITCHING CUBICLE

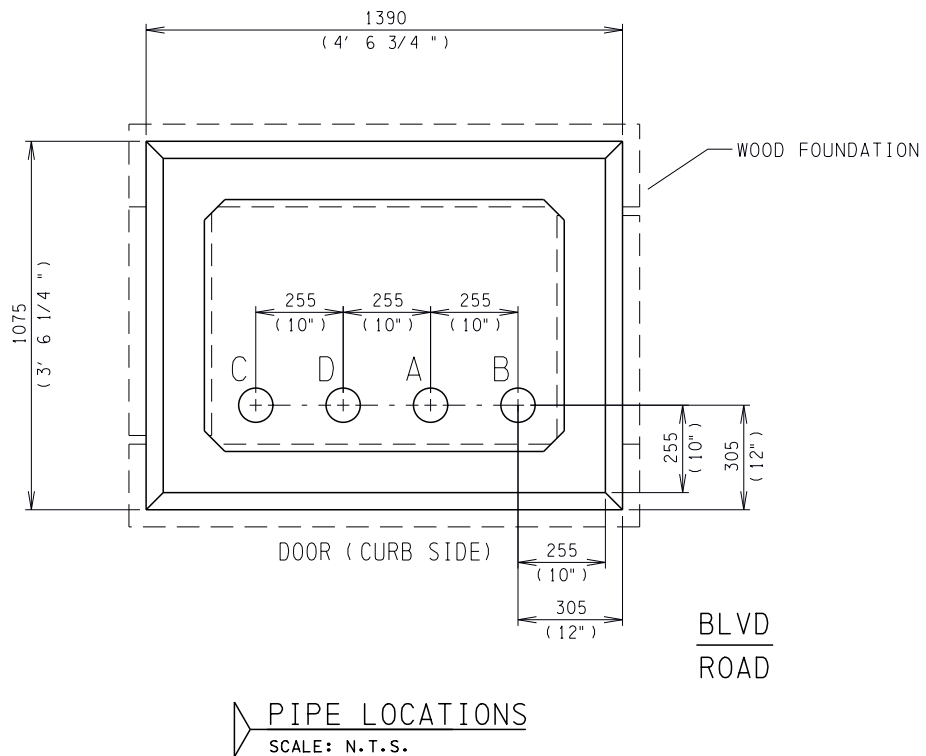
TE REVISED:
2016-12-05

DRAWING NO. :
006

REFERENCE NO.
66 CC 07 15 23 114

PAGE NO.
3/5

**DRAWING 6 - PART 4:
INSTALLATION OF PRECAST CONCRETE BASE FOR 4-WAY
15 KV SINGLE-PHASE 200 AMP DEAD FRONT SWITCHING
CUBICLE**



NOTES:

1. ALL PIPES SHOULD BE DB2 OR RIGID PVC, BENDS TO BE RIGID PVC.
2. ALL MEASUREMENTS ARE TO THE OUTSIDE "TOP" OF THE BASE.

ALL DIMENSIONS IN MILLIMETERS (INCHES) UNLESS OTHERWISE SPECIFIED.



**CUSTOMER CONNECTION
GUIDE**

**INSTALLATION OF PRECAST CONCRETE
BASE FOR 4-WAY 15 KV SINGLE PHASE
200 AMP DEAD FRONT SWITCHING CUBICLE**

