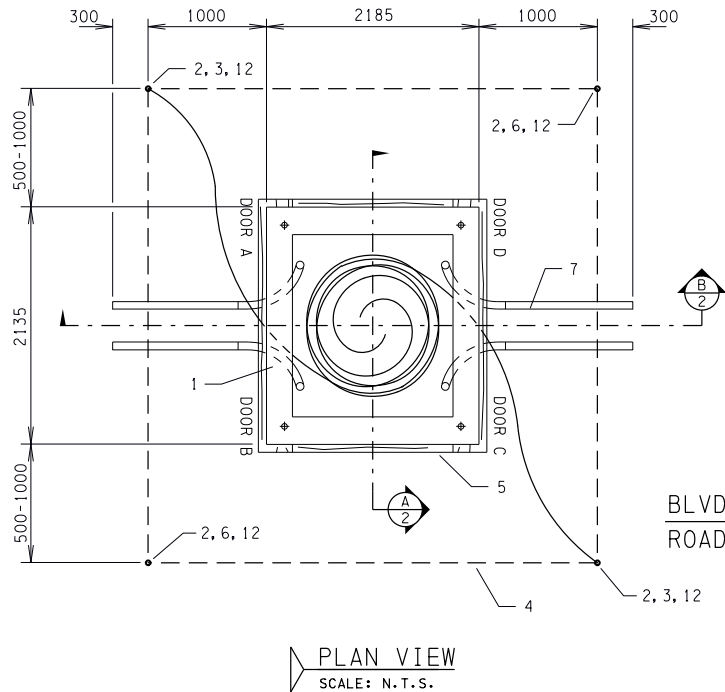



DRAWING 5 - PART 1: INSTALLATION OF PRECAST CONCRETE BASE FOR 4-WAY 3-PHASE 25 KV SWITCHING CUBICLE (ALL VARIANTS)



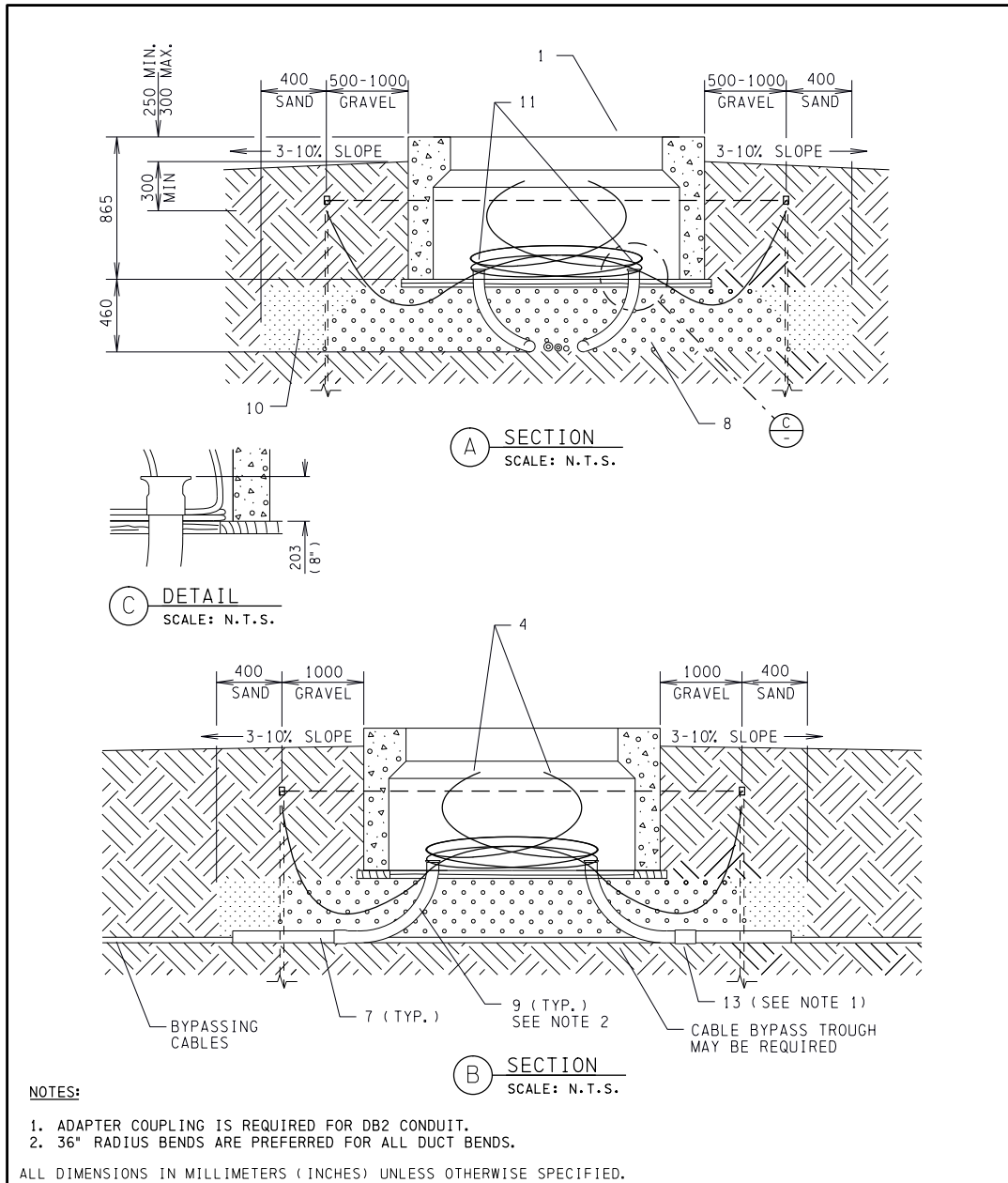
NOTES:


1. INTERCONNECTING GRADIENT CONTROL CONDUCTORS SHALL BE INSTALLED A MINIMUM OF 300 mm BELOW FINAL FINISHED GRADE (NOT ROUGH GRADE) WITH ONE LEG CONTINUOUS AROUND THE PERIMETER AND INTO THE BASE WITH AN ADDITIONAL CONTINUOUS CONDUCTOR TAIL ATTACHED FROM THE OPPOSITE CORNER.
2. USE FINE FILL CLAY BACKFILL AROUND GROUND GRID.
3. ENSURE TOP OF BASE IS BETWEEN 250 mm AND 300 mm FROM FINAL FINISHED GRADE (NOT ROUGH GRADE).
4. CABLES ARE TO BE INSTALLED THROUGH DUCTS ONLY.
5. RETAIN 5.0 m OF COILED 4/0 Cu FOR CONNECTION TO GROUND BUS.
6. PRIMARY CABLES ARE TO BE INSTALLED WITH 8 m COILED IN BASE PRIOR TO TERMINATION AND A MINIMUM OF ONE COMPLETE PERIMETER LOOP AFTER TERMINATION.
7. THE DUCTING SHOULD BE INSTALLED SO THAT THE ENDS ARE POINTING DIRECTLY UPWARDS WITH THE TOP OF THE END BELL 200 mm ABOVE THE PLANKS/BASE BOTTOM. SPARE DUCTS TO BE CAPPED AND TAPED.
8. ADDITIONAL GROUND ROD MAY BE REQUIRED TO ACHIEVE A RESISTANCE OF 6 OHMS OR LESS.
9. THE BASE SHALL BE INSTALLED SUCH THAT THE TOP SURFACE IS LEVEL.
10. BASE WEIGHT: 2880 kg (6350 lbs).

ALL DIMENSIONS IN MILLIMETERS (INCHES) UNLESS OTHERWISE SPECIFIED.

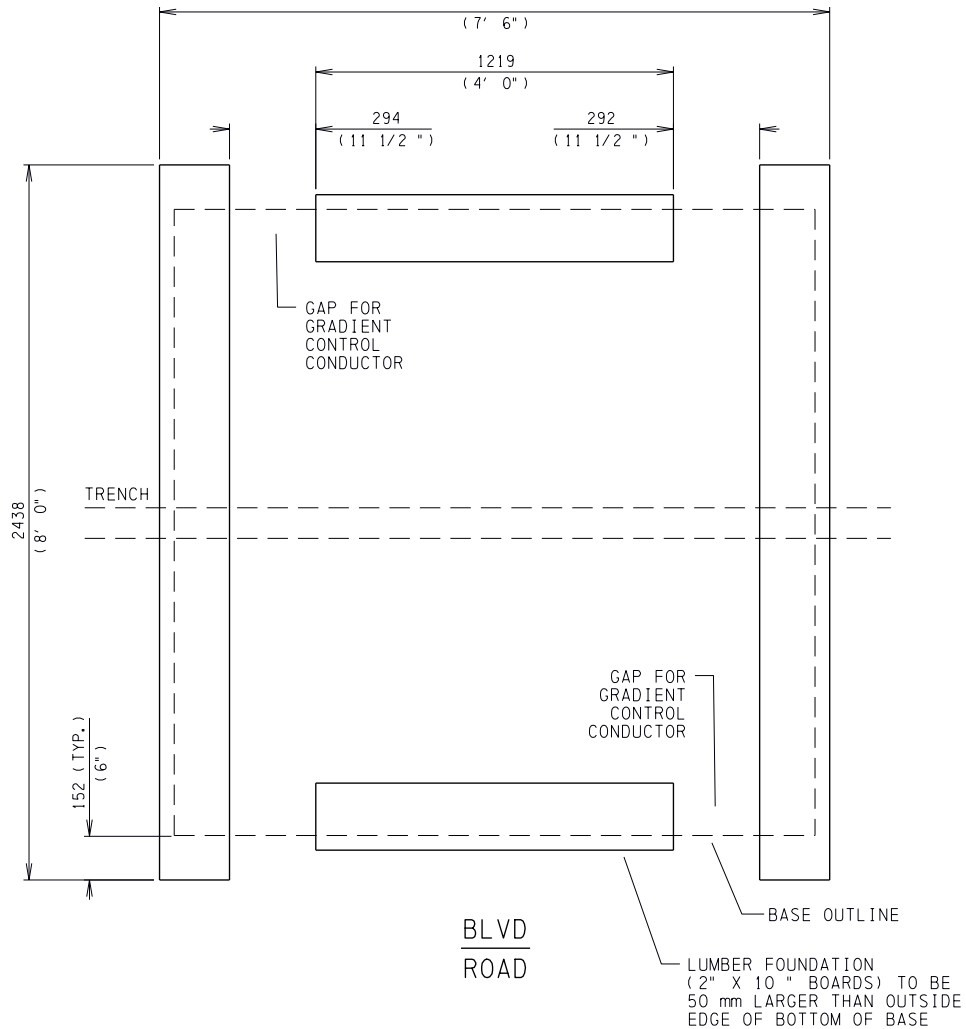
 CUSTOMER CONNECTION GUIDE		INSTALLATION OF PRECAST CONCRETE BASE FOR 4-WAY 3 PHASE 25 kV SWITCHING CUBICLE (ALL VARIANTS)	
DATE REVISED: 2016-12-06	DRAWING NO. : 005	REFERENCE NO. 65 CC 07 25 23 132	PAGE NO. 1 / 5

DRAWING 5 - PART 2: INSTALLATION OF PRECAST CONCRETE BASE FOR 4-WAY 3-PHASE 25 KV SWITCHING CUBICLE (ALL VARIANTS)



 CUSTOMER CONNECTION GUIDE		INSTALLATION OF PRECAST CONCRETE BASE FOR 4-WAY 3 PHASE 25 kV SWITCHING CUBICLE (ALL VARIANTS)	
DATE REVISED: 2016-12-06	DRAWING NO. : 005	REFERENCE NO. 65 CC 07 25 23 132	PAGE NO. 2/5

DRAWING 5 - PART 3: INSTALLATION OF PRECAST CONCRETE BASE FOR 4-WAY 3-PHASE 25 KV SWITCHING CUBICLE (ALL VARIANTS)



LUMBER FOUNDATION
SCALE: N.T.S.

NOTES:

1. LUMBER FOUNDATION SHOULD BE 2" X 10" PRESSURE TREATED SPRUCE WITH 2 - 2438 mm AND 2 - 1219 mm LENGTHS (50 mm MAXIMUM LEDGE ON OUTSIDE).
2. RE-TREAT CUT ENDS OF LUMBER FOUNDATION BOARDS WITH COPPER NAPHTHANATE WOOD PRESERVATIVE.

ALL DIMENSIONS IN MILLIMETERS (INCHES) UNLESS OTHERWISE SPECIFIED.



**CUSTOMER CONNECTION
GUIDE**

INSTALLATION OF PRECAST CONCRETE
BASE FOR 4-WAY 3 PHASE 25 KV
SWITCHING CUBICLE (ALL VARIANTS)

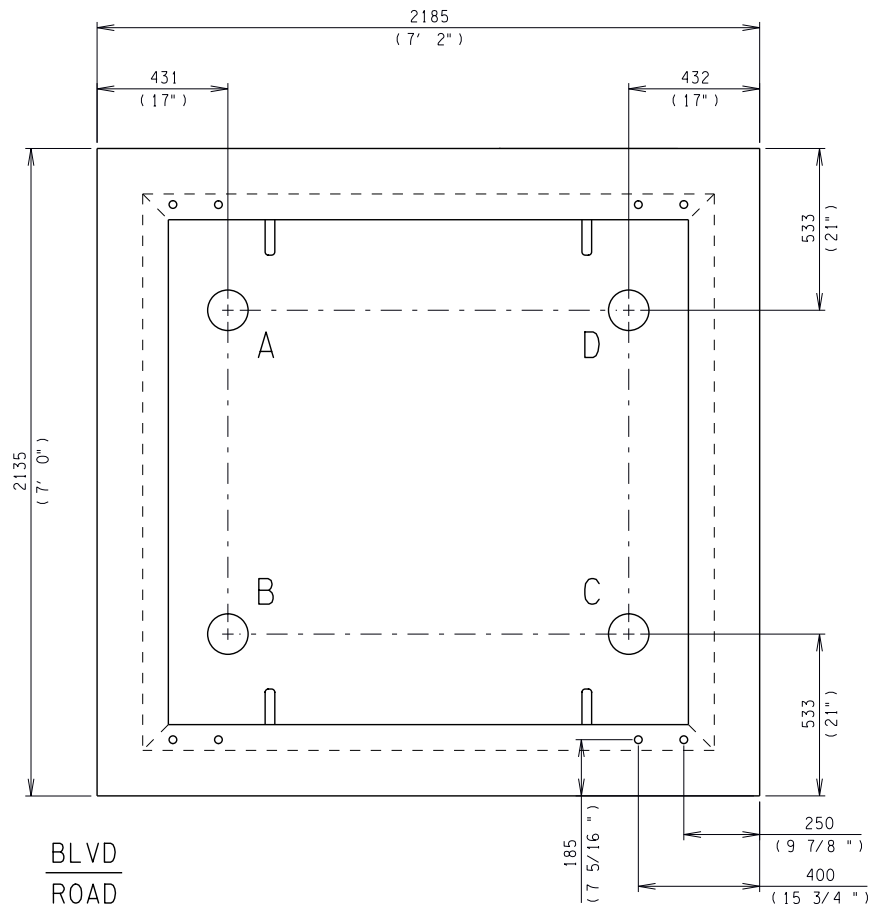
DATE REVISED:
2016-12-06

DRAWING NO. :
005

REFERENCE NO.
65 CC 07 25 23 132

PAGE NO.
3/5

DRAWING 5 - PART 4: INSTALLATION OF PRECAST CONCRETE BASE FOR 4-WAY 3-PHASE 25 KV SWITCHING CUBICLE (ALL VARIANTS)



PIPE LOCATIONS
SCALE: N.T.S.

NOTES:

1. ALL PIPES SHOULD BE DB2 OR RIGID PVC, BENDS TO BE RIGID PVC.
2. DUCT SIZES AS PER STANDARD 63 00 07 00 37 001.
3. ALL MEASUREMENTS ARE TO THE OUTSIDE "TOP" OF THE BASE.

.L DIMENSIONS IN MILLIMETERS (INCHES) UNLESS OTHERWISE SPECIFIED.



CUSTOMER CONNECTION
GUIDE

INSTALLATION OF PRECAST CONCRETE
BASE FOR 4-WAY 3 PHASE 25 kV
SWITCHING CUBICLE (ALL VARIANTS)

