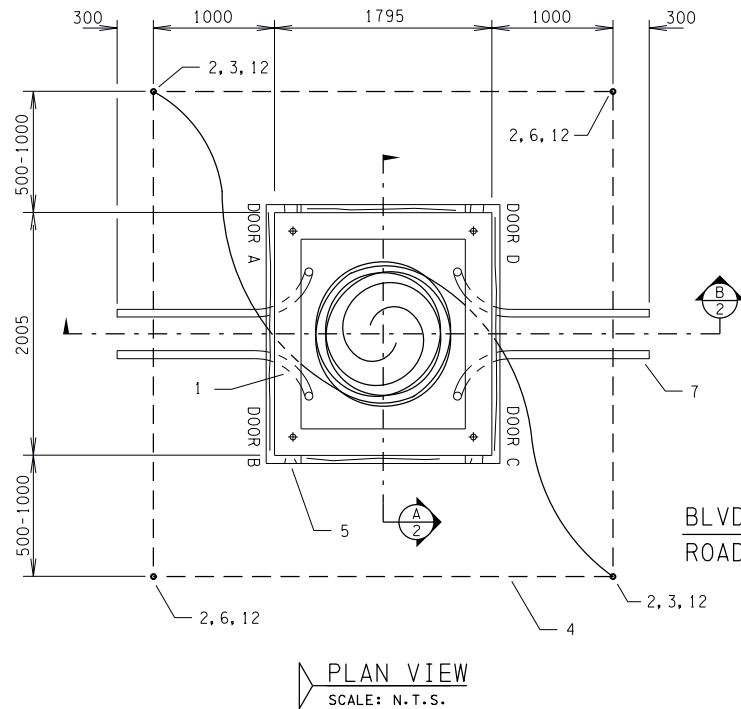



DRAWING 4 - PART 1: INSTALLATION OF PRECAST CONCRETE BASE FOR 4-WAY 3-PHASE 15 KV SWITCHING CUBICLE (ALL VARIANTS)



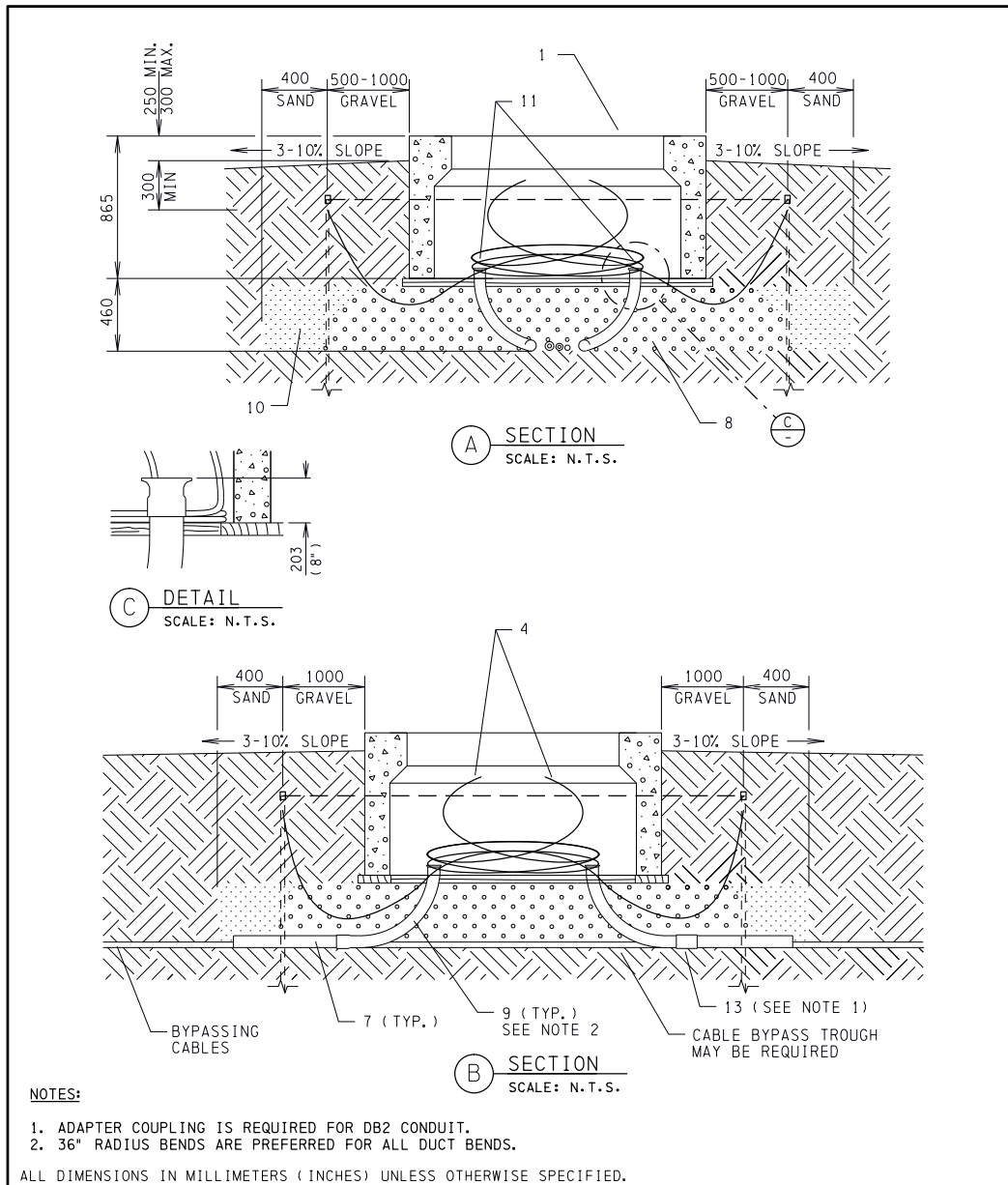
NOTES:


1. INTERCONNECTING GRADIENT CONTROL CONDUCTORS SHALL BE INSTALLED A MINIMUM OF 300 mm BELOW FINAL FINISHED GRADE (NOT ROUGH GRADE) WITH ONE LEG CONTINUOUS AROUND THE PERIMETER AND INTO THE BASE WITH AN ADDITIONAL CONTINUOUS CONDUCTOR TAIL ATTACHED FROM THE OPPOSITE CORNER.
2. USE FINE FILL CLAY BACKFILL AROUND GROUND GRID.
3. ENSURE TOP OF BASE IS BETWEEN 250 mm AND 300 mm FROM FINAL FINISHED GRADE (NOT ROUGH GRADE).
4. CABLES ARE TO BE INSTALLED THROUGH DUCTS ONLY.
5. RETAIN 5.0 m OF COILED 4/0 Cu FOR CONNECTION TO GROUND BUS.
6. PRIMARY CABLES ARE TO BE INSTALLED WITH 8 m COILED IN BASE PRIOR TO TERMINATION AND A MINIMUM OF ONE COMPLETE PERIMETER LOOP AFTER TERMINATION.
7. THE DUCTING SHOULD BE INSTALLED SO THAT THE ENDS ARE POINTING DIRECTLY UPWARDS WITH THE TOP OF THE END BELL 200 mm ABOVE THE PLANKS/BASE BOTTOM. SPARE DUCTS TO BE CAPPED AND TAPED.
8. ADDITIONAL GROUND ROD MAY BE REQUIRED TO ACHIEVE A RESISTANCE OF 6 OHMS OR LESS.
9. THE BASE SHALL BE INSTALLED SUCH THAT THE TOP SURFACE IS LEVEL.
10. BASE WEIGHT: 2400 kg (5291 lbs).

ALL DIMENSIONS IN MILLIMETERS (INCHES) UNLESS OTHERWISE SPECIFIED.

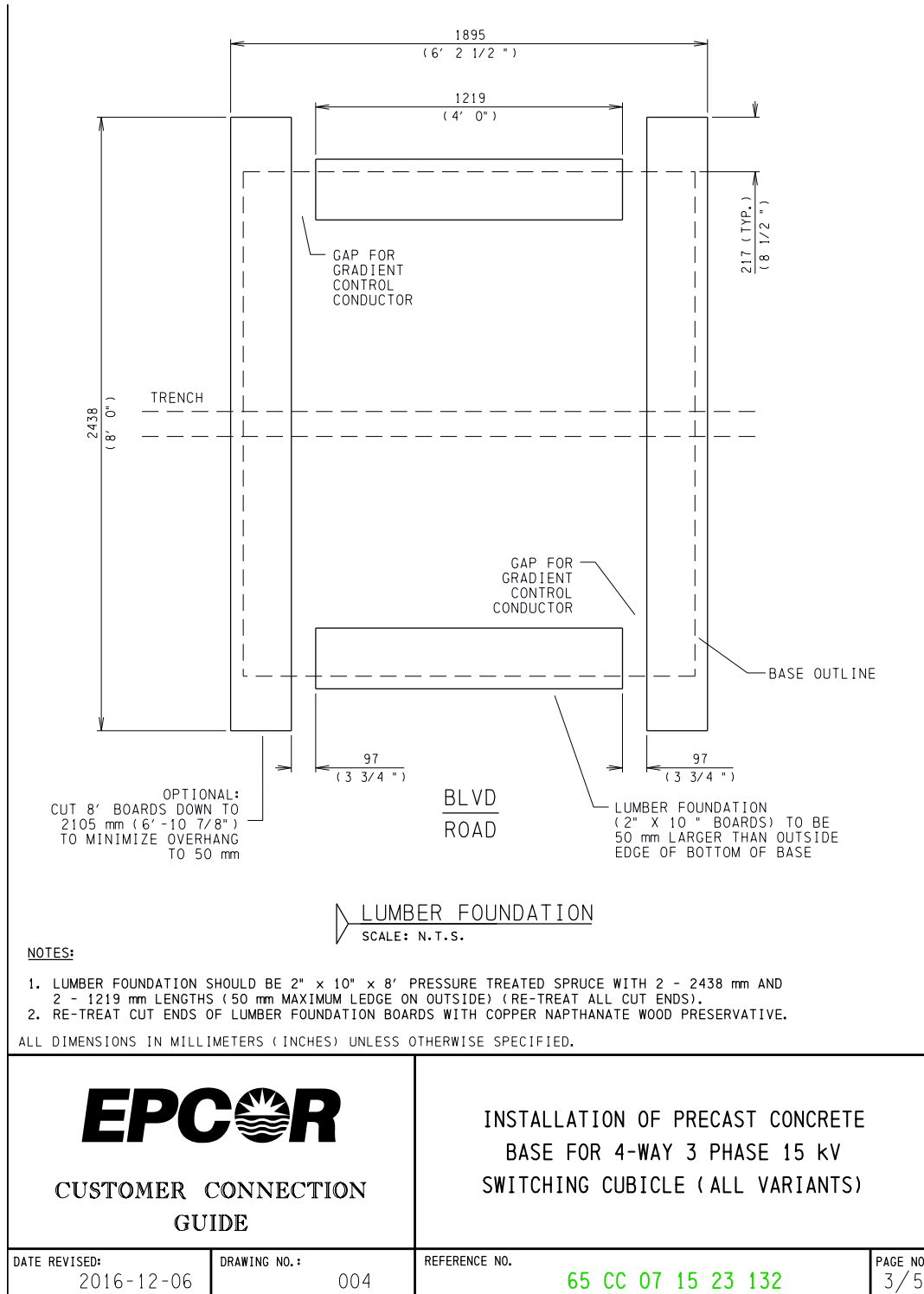
 CUSTOMER CONNECTION GUIDE	INSTALLATION OF PRECAST CONCRETE BASE FOR 4-WAY 3 PHASE 15 KV SWITCHING CUBICLE (ALL VARIANTS)		
DATE REVISED: 2016-12-06	DRAWING NO. : 004	REFERENCE NO. 65 CC 07 15 23 132	PAGE NO. 1 / 5

DRAWING 4 - PART 2: INSTALLATION OF PRECAST CONCRETE BASE FOR 4-WAY 3-PHASE 15 KV SWITCHING CUBICLE (ALL VARIANTS)

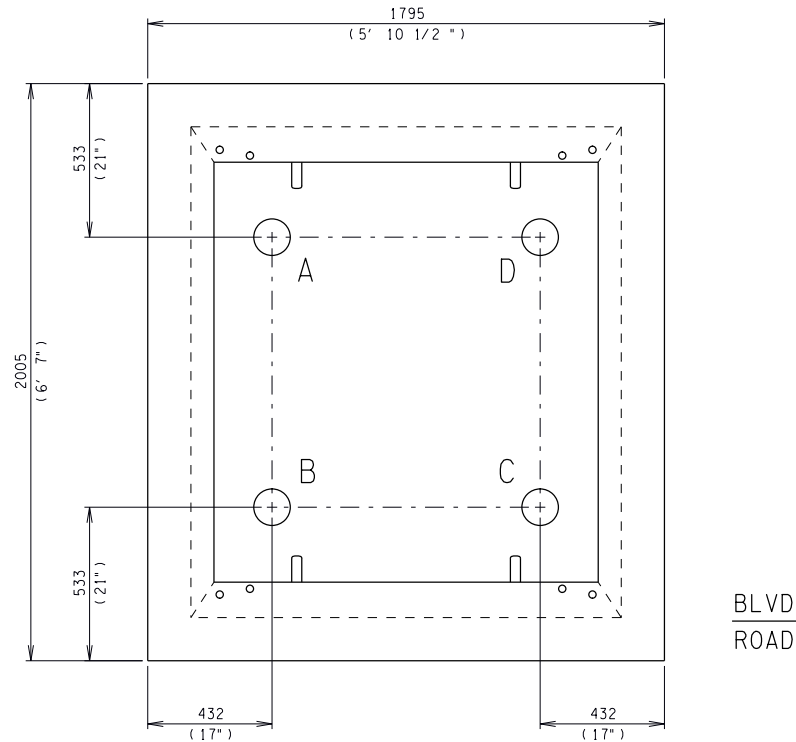


 CUSTOMER CONNECTION GUIDE		INSTALLATION OF PRECAST CONCRETE BASE FOR 4-WAY 3 PHASE 15 KV SWITCHING CUBICLE (ALL VARIANTS)	
DATE REVISED: 2016-12-06	DRAWING NO. : 004	REFERENCE NO. 65 CC 07 15 23 132	PAGE NO. 2/5

DRAWING 4 - PART 3: INSTALLATION OF PRECAST CONCRETE BASE FOR 4-WAY 3-PHASE 15 KV SWITCHING CUBICLE (ALL VARIANTS)




DRAWING 4 - PART 4: INSTALLATION OF PRECAST CONCRETE BASE FOR 4-WAY 3-PHASE 15 KV SWITCHING CUBICLE (ALL VARIANTS)




NOTES:

1. ALL PIPES SHOULD BE DB2 OR RIGID PVC, BENDS TO BE RIGID PVC.
 2. ALL MEASUREMENTS ARE TO THE OUTSIDE "TOP" OF THE BASE.
- ALL DIMENSIONS IN MILLIMETERS (INCHES) UNLESS OTHERWISE SPECIFIED.

 CUSTOMER CONNECTION GUIDE		INSTALLATION OF PRECAST CONCRETE BASE FOR 4-WAY 3 PHASE 15 KV SWITCHING CUBICLE (ALL VARIANTS)	
DATE REVISED: 2016-12-06	DRAWING NO. : 004	REFERENCE NO. 65 CC 07 15 23 132	PAGE NO. 4/5

DRAWING 4 - PART 5:

INSTALLATION OF PRECAST CONCRETE BASE FOR 4-WAY 3-PHASE 15 KV SWITCHING CUBICLE (ALL VARIANTS)

ITEM	PART DESCRIPTION	STOCK No.	QTY.
1	BASE PRECAST 600 AMP 15 KV 4-WAY 3 PHASE DEADFRONT SWITCHING CUBICLE	17282	1
2	ROD GROUNDING 5/8" x 5' (SEE NOTE 8)	17288	8
3	CONNECTOR GROUND ROD 3/4" - 250 DOUBLE WIRE	9136	2
4	WIRE #4/0 STRANDED COPPER BARE (SEE NOTE 5)	45655	36m
5	LUMBER SPRUCE PRESSURE-TREATED - 2" x 10" x 8' PWF (RE-TREAT CUT ENDS)	13235	3
6	CONNECTOR GROUND 3/4" ROD - 250 1/C	31914	2
7	PIPE DUCT 20 FT.	AS REQ'D	A/R
	DB2 - 4"	53283	
	DB2 - 6"	42236	
	RIGID PVC - 4"	10083	
	RIGID PVC - 6"	10692	
8	ROAD CRUSH - 3/4"	N/A	A/R
9	BENDS RIGID PVC	AS REQ'D	A/R
	4" - 90 DEGREE 24" RADIUS PLAIN ENDS	44327	
	4" - 90 DEGREE 36" RADIUS PLAIN ENDS	22960	
	6" - 90 DEGREE 36" RADIUS PLAIN ENDS	17787	
10	SAND	N/A	A/R
11	END BELL COLLAR	AS REQ'D	A/R
	RIGID PVC - 4"	20574	
	RIGID PVC - 6"	20889	
12	COUPLER - GROUND ROD	17289	4
13	COUPLING ADAPTER	AS REQ'D	A/R
	4" DB2 TO 4" PVC	38916	
	6" DB2 TO 6" PVC	10284	
 CUSTOMER CONNECTION GUIDE		INSTALLATION OF PRECAST CONCRETE BASE FOR 4-WAY 3 PHASE 15 KV SWITCHING CUBICLE (ALL VARIANTS)	
DATE REVISED: 2016-12-06	DRAWING NO. : 004	REFERENCE NO. 65 CC 07 15 23 132	PAGE NO. 5/5