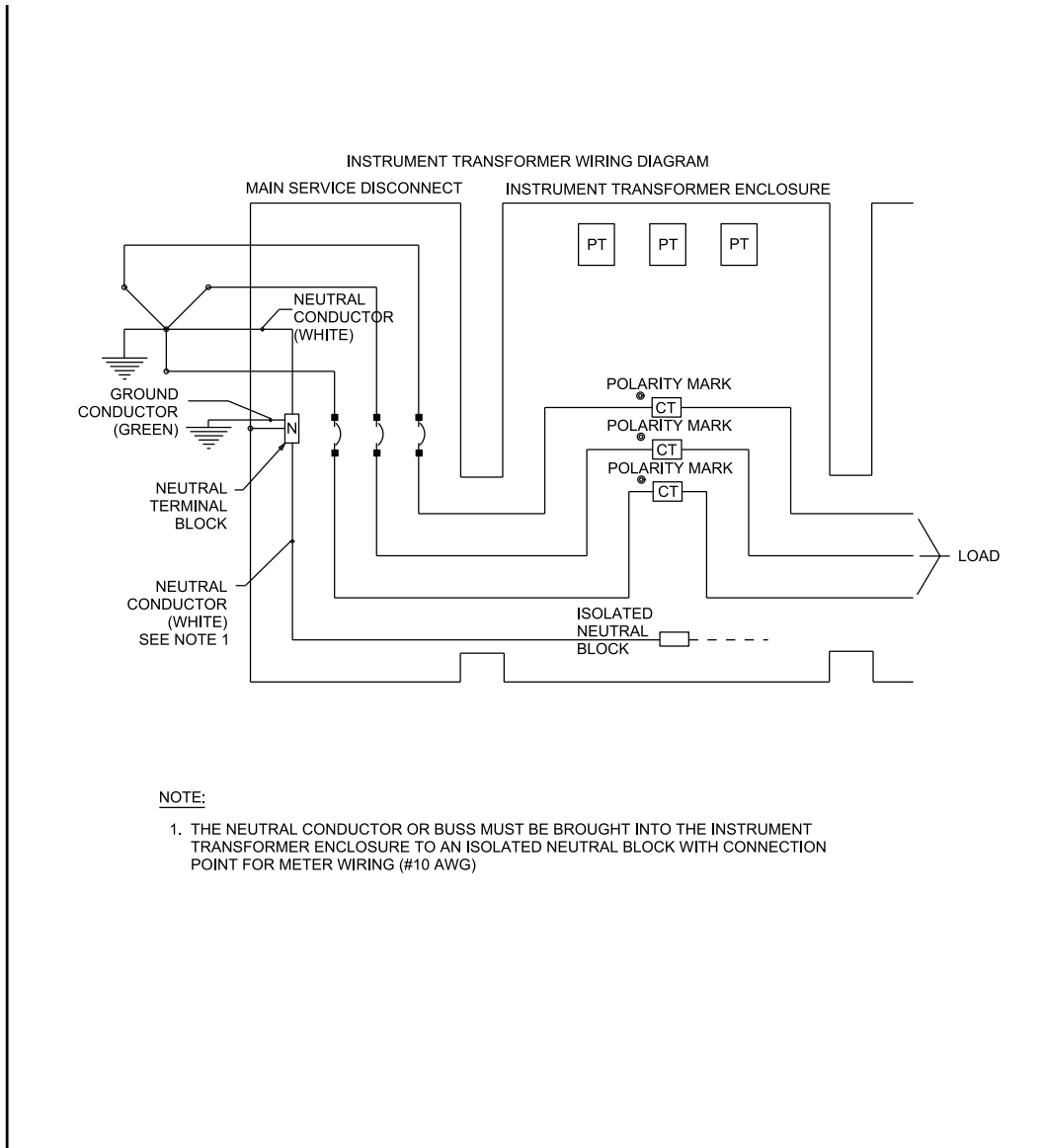



DRAWING 23: INSTRUMENT TRANSFORMER WIRING DIAGRAM



20170126 14:32 r lowr1e

| | | | |
|---|----------------------|--|-------------------|
|  CUSTOMER CONNECTION GUIDE | | INSTRUMENT TRANSFORMER WIRING DIAGRAM | |
| DATE REVISED: 2016-11-25 | DRAWING NO. : 023 | REFERENCE NO. 65 CC 07 00 25 001 | PAGE NO. 1 / 1 |