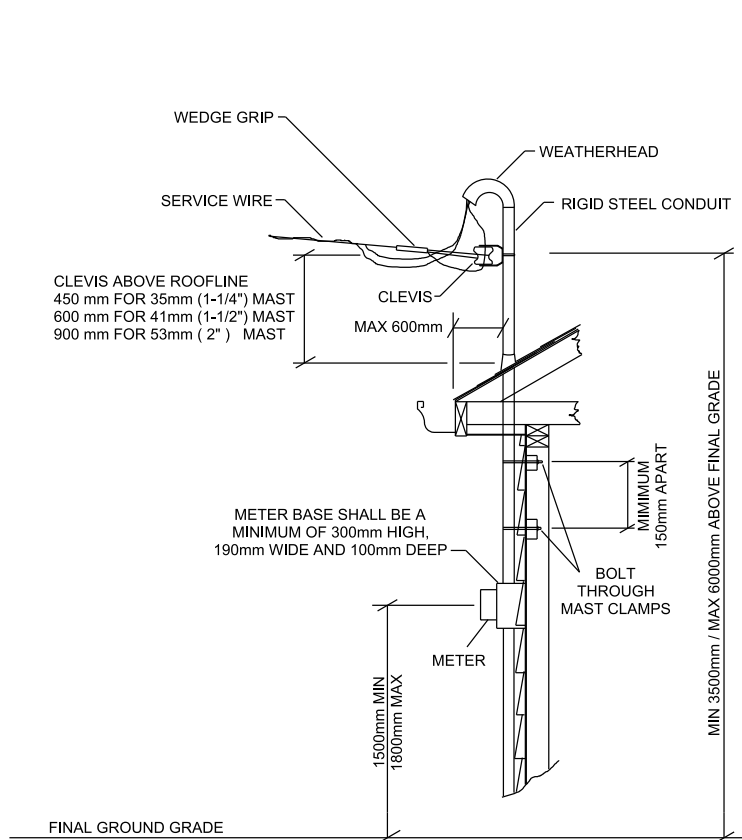


# DRAWING 17: INSTRUMENT TRANSFORMER WIRING DIAGRAM



NOTE: MAXIMUM DISTANCE ABOVE ROOFLINE OR TOP SUPPORT FOR:

100A RESIDENTIAL SERVICE:

- 450 mm FOR 35mm (1-1/4") MAST
- 600 mm FOR 41mm (1-1/2") MAST
- 900 mm FOR 53mm (2") MAST

150A OR 200A RESIDENTIAL SERVICE:

- 900 mm FOR 53mm (2") MAST

IN ALL CASES SERVICE ATTACHMENT TO BE ON THE POLE LINE SIDE OF THE BUILDING

INSTALLATION AS PER CEC PART 1

20170126 14:29 rlowrie



**CUSTOMER CONNECTION  
GUIDE**

TYPICAL RESIDENTIAL AERIAL SERVICE  
ATTACHMENT DETAILS  
(MAXIMUM DISTANCE 30 METERS)  
SERVICE ATTACHMENT TO BE ON THE  
POLE LINE SIDE OF THE BUILDING

DATE REVISED: 2016-11-25	DRAWING NO. : 017	REFERENCE NO. 61 CC 07 00 91 001	PAGE NO. 1/1
-----------------------------	----------------------	-------------------------------------	-----------------