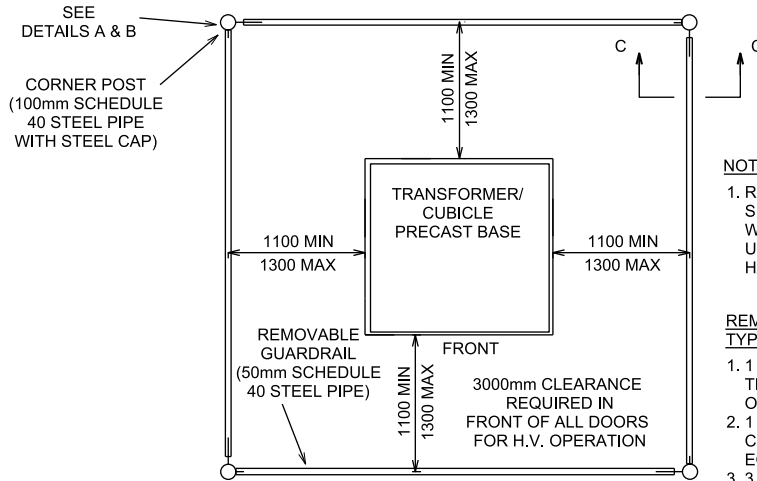


# DRAWING 11: GUARDRAIL CONSTRUCTION DETAILS



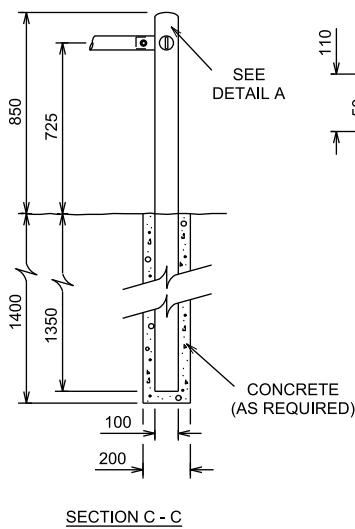
TOP VIEW - REMOVABLE GUARDRAIL CONSTRUCTION DETAIL

**NOTE:**

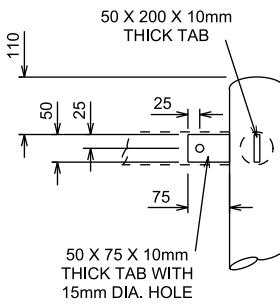
1. REMOVABLE GUARDRAIL SECTIONS REQUIRED WHERE EVER INSTALLED UTILITY EQUIPMENT HAS DOORS.

**REMOVABLE GUARDRAIL TYPICAL REQUIREMENTS:**

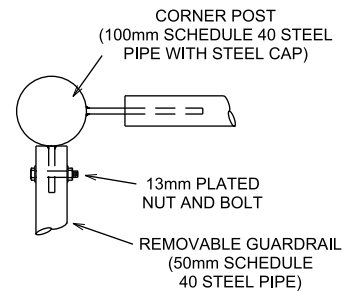
1. 1 PHASE AND 3 PHASE TRANSFORMERS FRONT OF EQUIPMENT
2. 1 PHASE SWITCHING CUBICLES FRONT OF EQUIPMENT
3. 3 PHASE SWITCHING CUBICLES BOTH SIDES OF EQUIPMENT
4. CONFIRM REQUIREMENT WITH CES



SECTION C - C



DETAIL A



DETAIL B

**NOTE:**

1. TO CONSTRUCT REMOVABLE GUARDRAIL, USE 50mm SCHEDULE 40 STEEL PIPE FOR RAIL. WELD TABS TO POST AS SHOWN. RAILS TO BE A SLIDE FIT OVER THE TABS AND SECURED WITH 13mm PLATED NUT AND BOLT.
2. ALL DIMENSIONS GIVEN IN MILLIMETERS



CUSTOMER CONNECTION  
GUIDE

GUARDRAIL CONSTRUCTION DETAILS

DATE REVISED:  
2017-01-24

DRAWING NO. :  
011

REFERENCE NO.  
65 CC 07 00 27 001

PAGE  
1 /