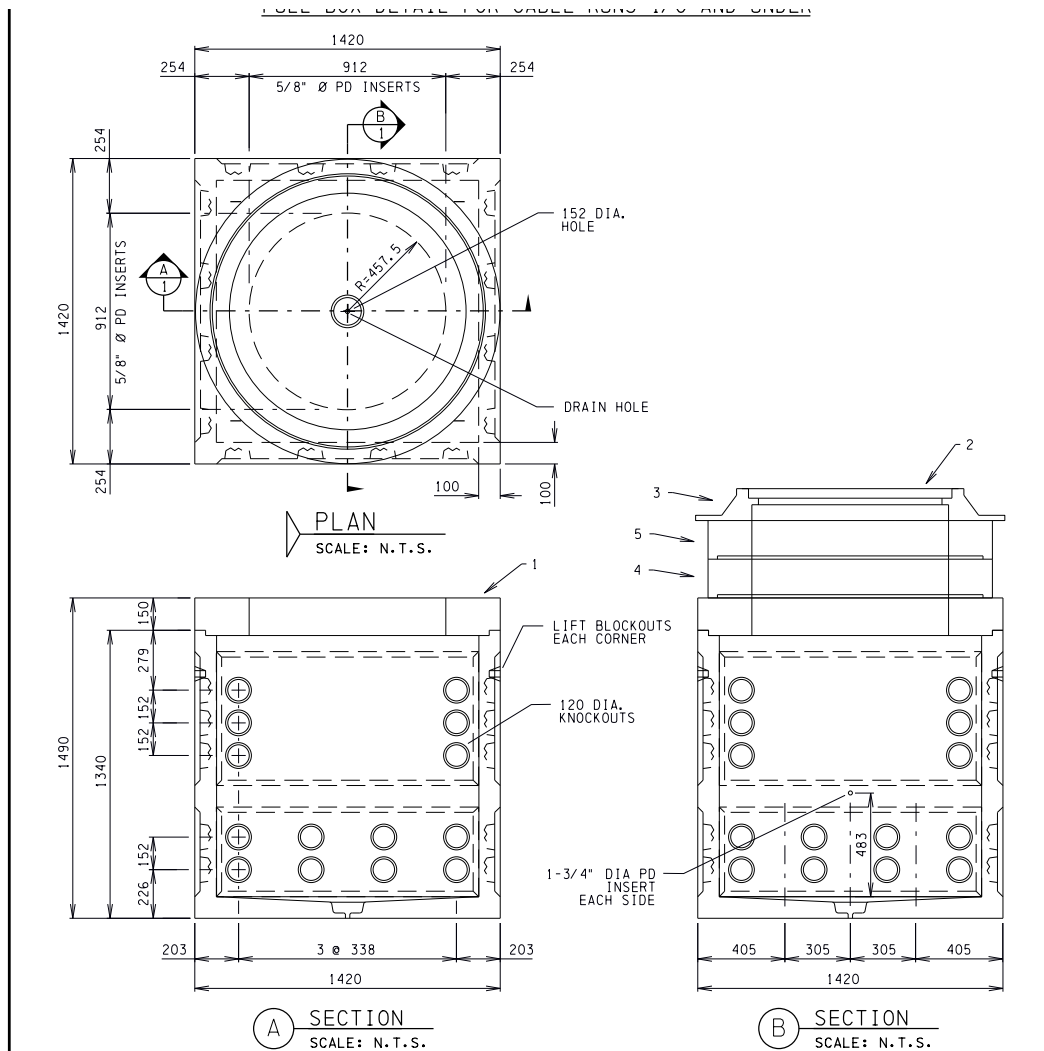


DRAWING 1 - PART 1: INSTALLATION OF PRECAST CONCRETE 4-WAY PULL BOX



NOTES:

1. PULL BOX WEIGHT: 2,500 kg (5,500 lbs). LID WEIGHT: 750 kg (1650 lbs).
2. INSIDE DIMENSIONS: 1.22 m x 1.22 m x 1.14 m (L x W x H).
3. ONLY USE PULL BOX FOR SPLICES WITH NO EXTERNAL NEUTRAL CONNECTIONS AND NO SEPERATE SYSTEM NEUTRAL.

ALL DIMENSIONS IN MILLIMETERS (INCHES) UNLESS OTHERWISE SPECIFIED.

20170126 14:41 rlawrie

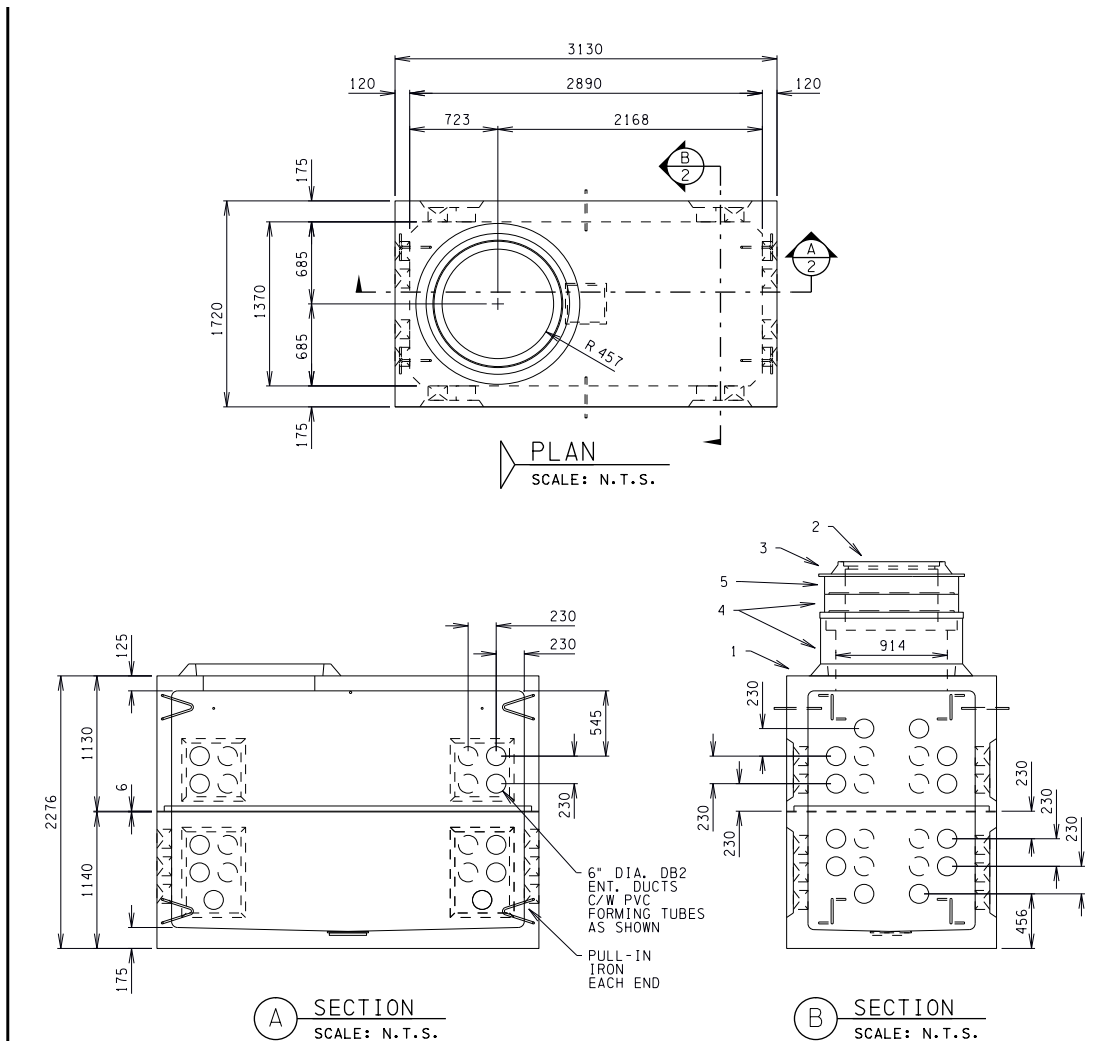


**CUSTOMER CONNECTION
GUIDE**

**INSTALLATION OF PRECAST
CONCRETE 4-WAY PULL BOX**

DATE REVISED: 2016-09-12	DRAWING NO. : 001	REFERENCE NO. 65 CC 07 00 35 101	PAGE NO. 1 / 5
-----------------------------	----------------------	-------------------------------------	-------------------


DRAWING 1 - PART 2: INSTALLATION OF PRECAST CONCRETE 4-WAY PULL BOX



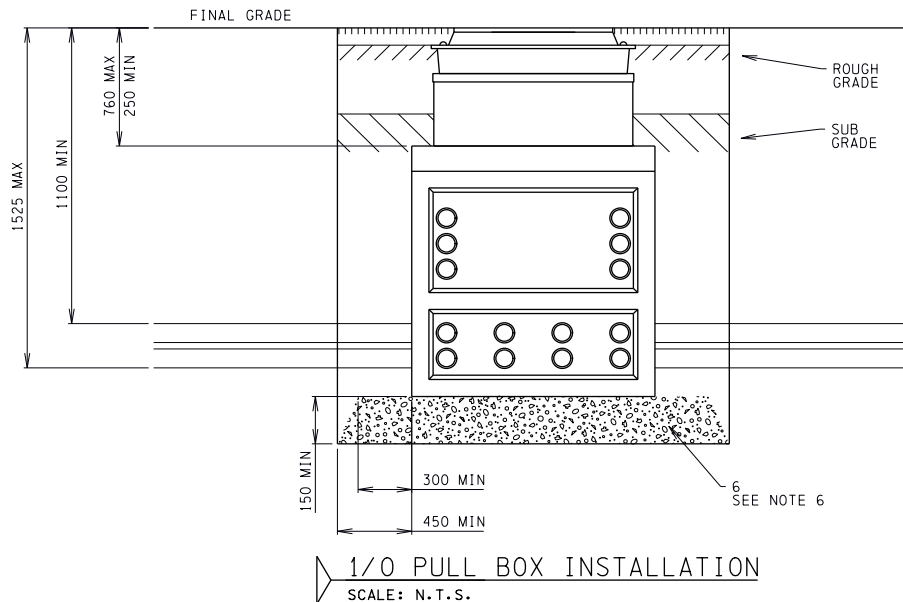
NOTES:

1. TOP BOX WEIGHT: 4860 kg (10,690 lbs). BOTTOM BOX WEIGHT: 5560 kg (12,230 lbs).
2. INSIDE DIMENSIONS: 2.9 m x 1.4 m x 2.0 m (L x W x H).
3. ONLY USE PULL BOX FOR SPLICES WITH NO EXTERNAL NEUTRAL CONNECTIONS AND NO SEPERATE SYSTEM NEUTRAL.

ALL DIMENSIONS IN MILLIMETERS (INCHES) UNLESS OTHERWISE SPECIFIED.

 CUSTOMER CONNECTION GUIDE		INSTALLATION OF PRECAST CONCRETE 4-WAY PULL BOX	
DATE REVISED: 2016-09-12	DRAWING NO. : 001	REFERENCE NO. 65 CC 07 00 35 101	PAGE NO 2/5

DRAWING 1 - PART 3: INSTALLATION OF PRECAST CONCRETE 4-WAY PULL BOX



NOTES:

1. COMMUNICATIONS CABLES CANNOT SHARE A PULL BOX WITH PRIMARY CABLE.
2. CONDUITS MUST ENTER AND EXIT THE PULL BOX AT THE SAME LEVEL.
3. MANHOLE LID MUST HAVE THE WORD "POWER" ON THE LID.
4. EXCAVATION AND SLOPING REQUIREMENTS SHALL BE AS PER ALBERTA OH&S EXCAVATING AND TUNNELING REGULATIONS.
5. ACCEPTABLE BACKFILL SHALL BE NATIVE SOIL, CLAY, FILLCRETE, SAND, OR GRAVEL. NATIVE SOIL IS UNSUITABLE IF IT IS PEAT, ROOTS, STUMPS, BOULDERS, TOPSOIL, FROZEN SOIL, OR GARBAGE. CONTACT EPCOR ENVIRONMENTAL DEPARTMENT FOR PROPER DISPOSAL PROCEDURES.
6. THE GRANULAR BASE LAYER UNDER THE PULL BOX SHALL BE INSTALLED IN 150 mm HORIZONTAL LIFTS, EACH COMPACTED TO A MINIMUM OF 95% AS PER STANDARD PROCTOR DENSITY TEST. MUDSLABS (20 MPa, SULPHATE RESISTANT, 5-8% AIR ENTRAINMENT BY VOLUME) ARE AN ACCEPTABLE ALTERNATIVE IN SOFT SOIL CONDITIONS.
7. PULL BOX IS NOT DESIGNED TO WITHSTAND VEHICULAR LOADS.
8. MAXIMUM NUMBER OF (3 CONDUCTOR) CABLE RUNS SHALL BE:
 - 2 - FOR 1/0 & UNDER PULL BOX
 - 4 - FOR 750 MCM & UNDER PULL BOX

ALL DIMENSIONS IN MILLIMETERS (INCHES) UNLESS OTHERWISE SPECIFIED.

20170126 14:42 r lowrie

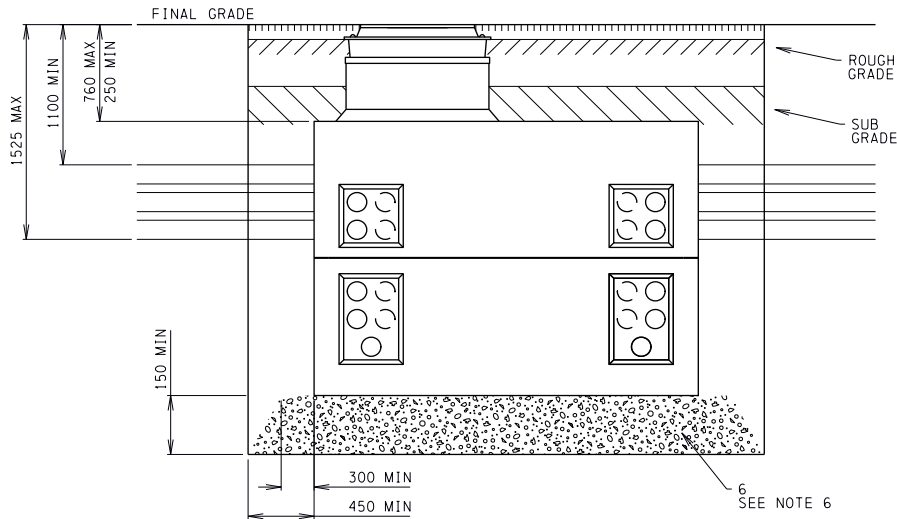


**CUSTOMER CONNECTION
GUIDE**

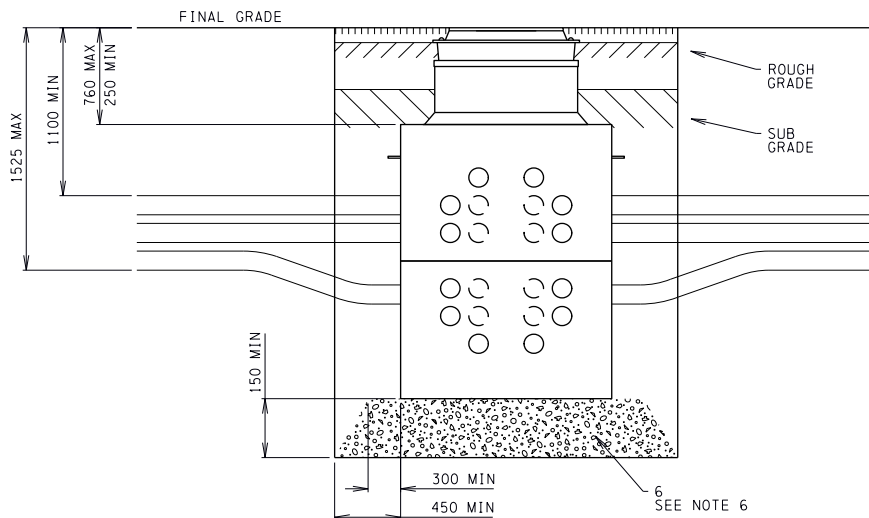
**INSTALLATION OF PRECAST
CONCRETE 4-WAY PULL BOX**

DATE REVISED: 2016-09-12	DRAWING NO.: 001	REFERENCE NO. 65 CC 07 00 35 101	PAGE NO. 3/5
-----------------------------	---------------------	-------------------------------------	-----------------

DRAWING 1 - PART 4: INSTALLATION OF PRECAST CONCRETE 4-WAY PULL BOX




750 MCM & UNDER PULL BOX INSTALLATION - SIDE VIEW
SCALE: N.T.S.



750 MCM & UNDER PULL BOX INSTALLATION - END VIEW
SCALE: N.T.S.

ALL DIMENSIONS IN MILLIMETERS (INCHES) UNLESS OTHERWISE SPECIFIED.

 CUSTOMER CONNECTION GUIDE		INSTALLATION OF PRECAST CONCRETE 4-WAY PULL BOX	
DATE REVISED: 2016-09-12	DRAWING NO.: 001	REFERENCE NO. 65 CC 07 00 35 101	PAGE NO. 4/5

