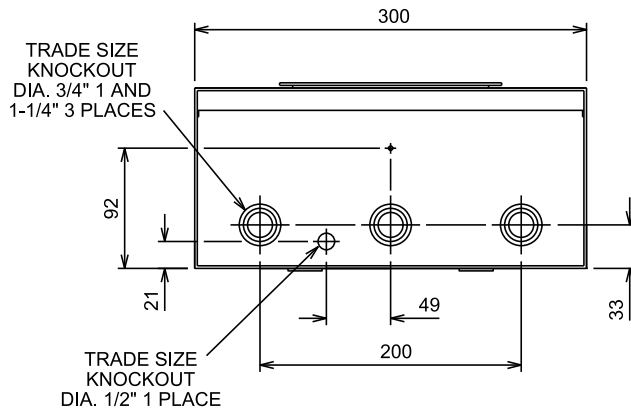


METER ENCLOSURE (TRANSFORMER RATED)
SCALE: N.T.S.



NOTE:

1. THOMAS & BETTS CT113-SWL WEATHERPROOF TYPE 3R ENCLOSURE OR CSA EQUIVALENT APPROVED BY EDTI (REQUIRED IN ALL CASES)

ALL DIMENSIONS IN MILLIMETERS (INCHES) UNLESS OTHERWISE SPECIFIED.

20170329 14:00 r lawrie



CUSTOMER CONNECTION
GUIDE

METER AND TEST BLOCK ENCLOSURE
CURRENT TRANSFORMER RATED METER SOCKET

DATE REVISED:
2017-03-29

DRAWING NO. :
020

REFERENCE NO.
66 CC 07 02 90 101

PAGE NO.
1 / 1