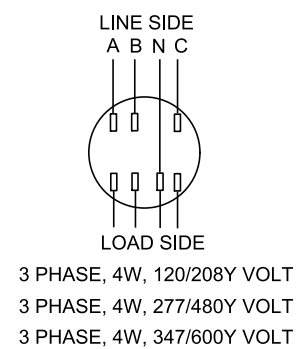
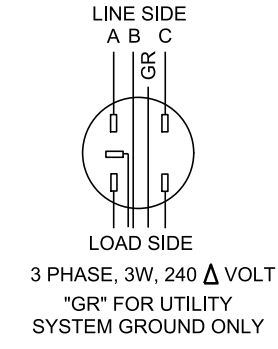
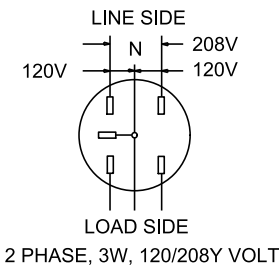
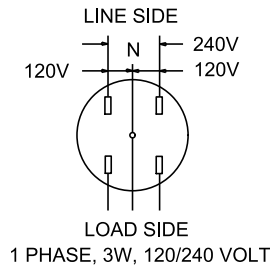
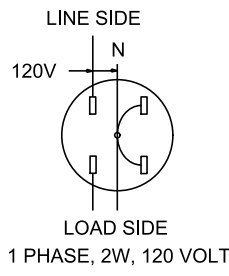
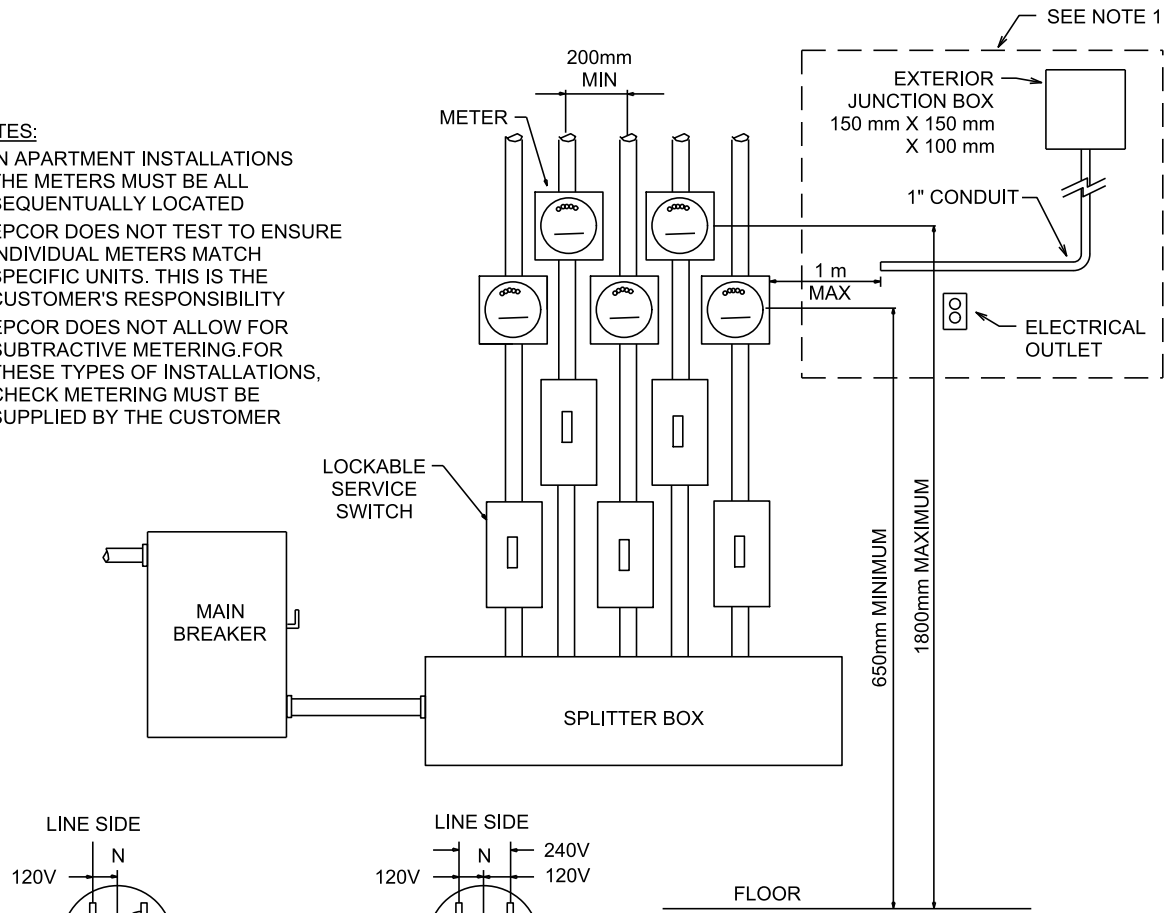


NOTES:

1. IN APARTMENT INSTALLATIONS THE METERS MUST BE ALL SEQUENTIALLY LOCATED
2. EPCOR DOES NOT TEST TO ENSURE INDIVIDUAL METERS MATCH SPECIFIC UNITS. THIS IS THE CUSTOMER'S RESPONSIBILITY
3. EPCOR DOES NOT ALLOW FOR SUBTRACTIVE METERING. FOR THESE TYPES OF INSTALLATIONS, CHECK METERING MUST BE SUPPLIED BY THE CUSTOMER



NOTE:

1. FOR METERS INSTALLED BELOW GRADE, A 1" CONDUIT SHALL BE INTALLED TO AN EXTERIOR JUNCTION BOX. IN ADDITION ONE 120 V 15 A DUPLEX RECEPTACLE MUST BE PROVIDED.

20170329 14:26 r lawrie

EPCOR
CUSTOMER CONNECTION
GUIDE

MULTI-METER INSTALLATION

DATE REVISED: 2017-03-29	DRAWING NO. : 019	REFERENCE NO. 66 CC 07 02 90 100	PAGE NO. 1 / 1
-----------------------------	----------------------	-------------------------------------	-------------------