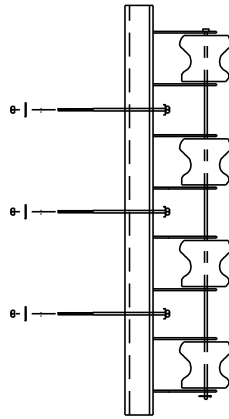
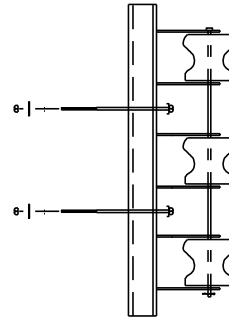


5/8" BOLTS
MACHINED



4 SPOOL RACK
ASSEMBLY

5/8" BOLTS
MACHINED

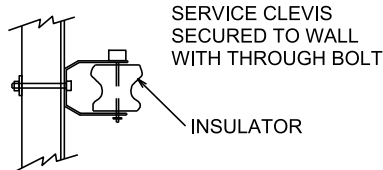


3 SPOOL RACK
ASSEMBLY

WALL CLEVIS ASSEMBLY AND INSTALLATION

UP TO 200A RESIDENTIAL
UP TO 150A COMMERCIAL

PREFFRRED METHOD

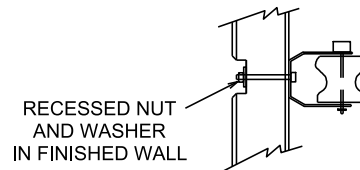


SERVICE CLEVIS
SECURED TO WALL
WITH THROUGH BOLT

INSULATOR

CLEVIS ASSEMBLY
AND INSTALLATION
UP TO 200A RESIDENTIAL
UP TO 150A COMMERCIAL

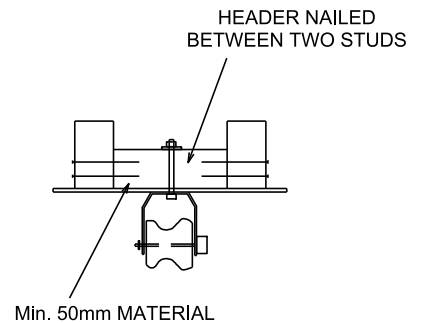
ALTERNATE METHOD



RECESSED NUT
AND WASHER
IN FINISHED WALL

NOTES:

1. CLEVIS MUST BE INSTALLED THROUGH MIN 50mm THICK MATERIAL (NOT THROUGH FACIA BOARD)
2. MINIMUM CLEARANCES TO GROUND MUST BE MAINTAINED
 - MINIMUM CLEARANCE 3500mm
 - MAXIMUM CLEARANCE 6000mm



20170126 14:27 r lawrie



CUSTOMER CONNECTION
GUIDE

HEAVY DUTY ATTACHMENT DEVICES

DATE REVISED:
2014-09-29

DRAWING NO. :
015

REFERENCE NO.
61 CC 07 00 22 100

PAGE NO.
1 / 1