

TOP VIEW
SCALE: N.T.S.

NOTES:

1. INTERCONNECTING GRADIENT CONTROL (GROUND GRID) CONDUCTORS SHALL BE INSTALLED 300 mm BELOW FINAL FINISHED GRADE (NOT ROUGH GRADE) WITH ONE LEG CONTINUOUS AROUND THE PERIMETER AND INTO BASE WITH AN ADDITIONAL CONTINUOUS CONDUCTOR TAIL ATTACHED FROM THE OPPOSITE CORNER.
2. RETAIN 5.0 m OF COILED 4/0 CU PER GROUND CONDUCTOR FOR CONNECTION TO GROUND BUS.
3. USE FINE FILL CLAY BACKFILL AROUND GROUND GRID.
4. WHEN SETTING BASE OBSERVE 150 mm MIN. - 200 mm MAX. REQUIREMENT FOR ELEVATION FROM TOP OF BASE TO FINAL FINISHED GRADE (NOT ROUGH GRADE).
5. ALL CABLES TO HAVE A MINIMUM OF 5.0 m OF EXTRA CABLE COILED IN BASE AS MEASURED FROM TOP OF PIPE OR BASE ENTRY POINT.
6. THE BASE SHALL BE INSTALLED SUCH THAT THE TOP SURFACE IS LEVEL.
7. BASE WEIGHT: 860 kg (1895 lbs).

ALL DIMENSIONS IN MILLIMETERS (INCHES) UNLESS OTHERWISE SPECIFIED.

20170126 16:00 r lawrie

EPCOR
CUSTOMER CONNECTION
GUIDE

INSTALLATION OF PRECAST CONCRETE
BASE FOR SINGLE PHASE TRANSFORMERS

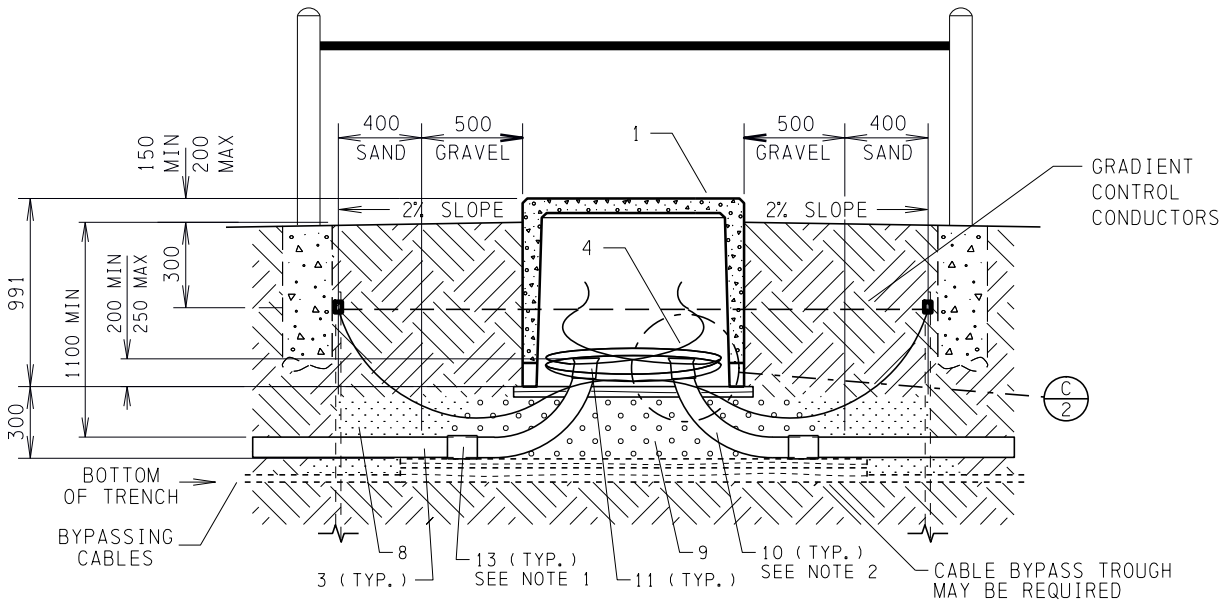
DATE REVISED:
2016-12-05

DRAWING NO. :
008

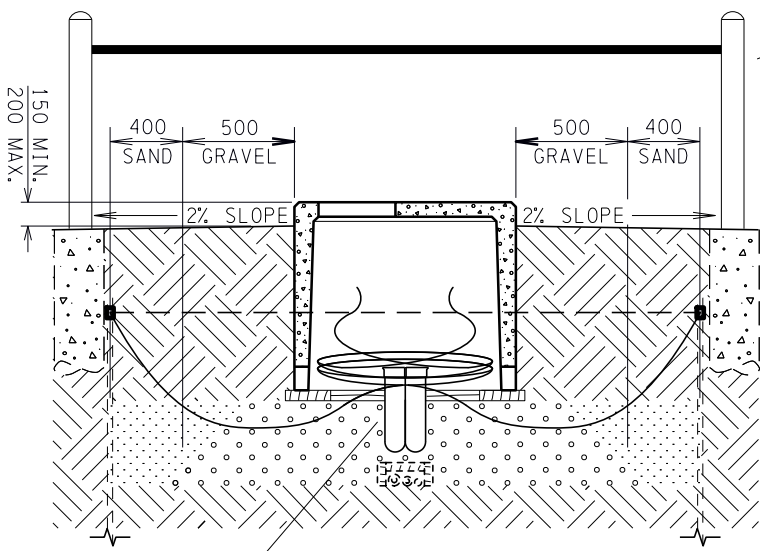
REFERENCE NO.
66 CC 07 00 27 115

PAGE NO.
1 / 4

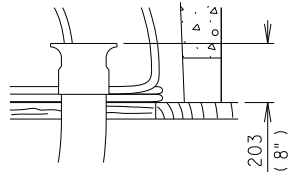
COMMERCIAL/INDUSTRIAL/MULTI-FAMILY APPLICATION



A SECTION B-B
SCALE: N.T.S.



B SECTION B-B
SCALE: N.T.S.



C DETAIL
SCALE: N.T.S.

- NOTES:
1. ADAPTER COUPLING IS REQUIRED FOR DB2 CONDUIT.
 2. 36" RADIUS BENDS ARE PREFERRED FOR ALL DUCT BENDS.

ALL DIMENSIONS IN MILLIMETERS UNLESS OTHERWISE SPECIFIED.



CUSTOMER CONNECTION
GUIDE

INSTALLATION OF PRECAST CONCRETE
BASE FOR SINGLE PHASE TRANSFORMERS

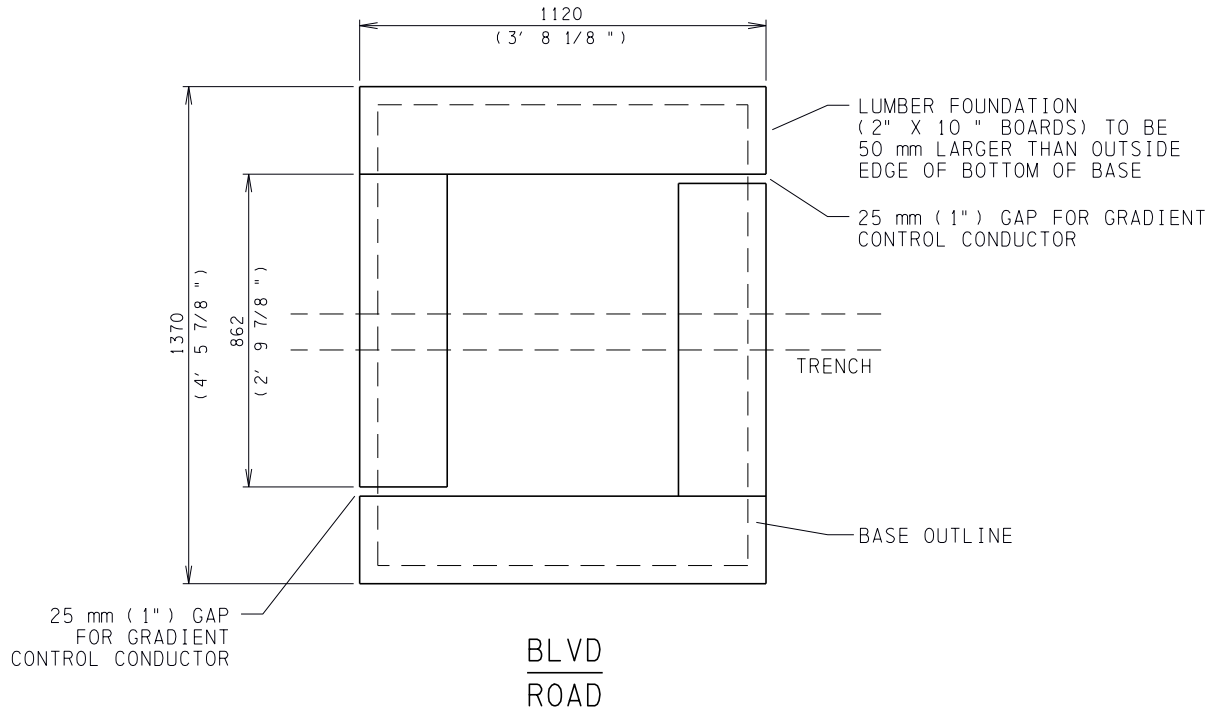
DATE REVISED:
2016-12-05

DRAWING NO. :
008

REFERENCE NO.
66 CC 07 00 27 115

PAGE NO.
2 / 4

20170126 16:03 rlawrie



LUMBER FOUNDATION
SCALE: N.T.S.

NOTES:

1. LUMBER FOUNDATION SHOULD BE 2" x 10" PRESSURE TREATED SPRUCE CUT TO 2 - 1120 mm AND 2 - 862 mm LENGTHS (50 mm MAXIMUM LEDGE ON OUTSIDE)
2. RE-TREAT CUT ENDS OF LUMBER FOUNDATION BOARDS WITH COPPER NAPHTHANATE WOOD PRESERVATIVE.

ALL DIMENSIONS IN MILLIMETERS UNLESS OTHERWISE SPECIFIED.

20170126 16:01 r lawrie

EPCOR
CUSTOMER CONNECTION
GUIDE

INSTALLATION OF PRECAST CONCRETE
BASE FOR SINGLE PHASE TRANSFORMERS

DATE REVISED:
2016-12-05

DRAWING NO. :
008

REFERENCE NO.
66 CC 07 00 27 115


PAGE NO.
3/4

ITEM	PART DESCRIPTION	STOCK No.	QTY.
1	BASE PRECAST TRANSFORMER SINGLE PHASE PADMOUNT 1270 x 1020	62891	1
2	ROD GROUNDING 5/8" x 5'	17288	8
3	PIPE DUCT 4"	AS REQ'D	A/R
	DB2 - 4"	53283	
	RIGID PVC - 4"	10083	
4	WIRE #4/0 STRANDED COPPER BARE	45655	35m
5	LUMBER SPRUCE PRESSURE-TREATED - 2" x 10" x 8' PWF (RE-TREAT CUT ENDS)	13235	2
6	CONNECTOR GROUND 3/4" ROD - 250 1/C	31914	2
7	CONNECTOR GROUND 3/4" - 250 DOUBLE WIRE	9136	2
8	SAND	N/A	A/R
9	ROAD CRUSH - 20 mm	N/A	A/R
10	BEND RIGID PVC	AS REQ'D	A/R
	4" 90 DEGREE 24" RADIUS PLAIN ENDS	44327	
	4" 90 DEGREE 36" RADIUS PLAIN ENDS	22960	
11	END BELL COLLAR - RIGID PVC - 4"	20574	A/R
12	COUPLER - GROUND ROD	17289	4
13	COUPLER ADAPTER 4" DB2 TO 4" PVC	38916	A/R



CUSTOMER CONNECTION
GUIDE

INSTALLATION OF PRECAST CONCRETE
BASE FOR SINGLE PHASE TRANSFORMERS

 CUSTOMER CONNECTION GUIDE		INSTALLATION OF PRECAST CONCRETE BASE FOR SINGLE PHASE TRANSFORMERS	
DATE REVISED:	DRAWING NO. :	REFERENCE NO.	PAGE NO.
2016-12-05	008	66 CC 07 00 27 115	4 / 4

20170126 16:03 r.lawrie