

PLAN VIEW
SCALE: N.T.S.

NOTES:

1. INTERCONNECTING GRADIENT CONTROL CONDUCTORS SHALL BE INSTALLED A MINIMUM OF 300 mm BELOW FINAL FINISHED GRADE (NOT ROUGH GRADE) WITH ONE LEG CONTINUOUS AROUND THE PERIMETER AND INTO THE BASE WITH AN ADDITIONAL CONTINUOUS CONDUCTOR TAIL ATTACHED FROM THE OPPOSITE CORNER.
2. USE FINE FILL CLAY BACKFILL AROUND GROUND GRID.
3. ENSURE TOP OF BASE IS BETWEEN 250 mm AND 300 mm FROM FINAL FINISHED GRADE (NOT ROUGH GRADE).
4. CABLES ARE TO BE INSTALLED THROUGH DUCTS ONLY.
5. RETAIN 5.0 m OF COILED 4/0 Cu FOR CONNECTION TO GROUND BUS.
6. PRIMARY CABLES ARE TO BE INSTALLED WITH 8 m COILED IN BASE PRIOR TO TERMINATION AND A MINIMUM OF ONE COMPLETE PERIMETER LOOP AFTER TERMINATION.
7. THE DUCTING SHOULD BE INSTALLED SO THAT THE ENDS ARE POINTING DIRECTLY UPWARDS WITH THE TOP OF THE END BELL 200 mm ABOVE THE PLANKS/BASE BOTTOM. SPARE DUCTS TO BE CAPPED AND TAPED.
8. ADDITIONAL GROUND ROD MAY BE REQUIRED TO ACHIEVE A RESISTANCE OF 6 OHMS OR LESS.
9. THE BASE SHALL BE INSTALLED SUCH THAT THE TOP SURFACE IS LEVEL.
10. BASE WEIGHT: 2880 kg (6350 lbs).

ALL DIMENSIONS IN MILLIMETERS (INCHES) UNLESS OTHERWISE SPECIFIED.

20170126 15:24 r lawrie

EPCOR
CUSTOMER CONNECTION
GUIDE

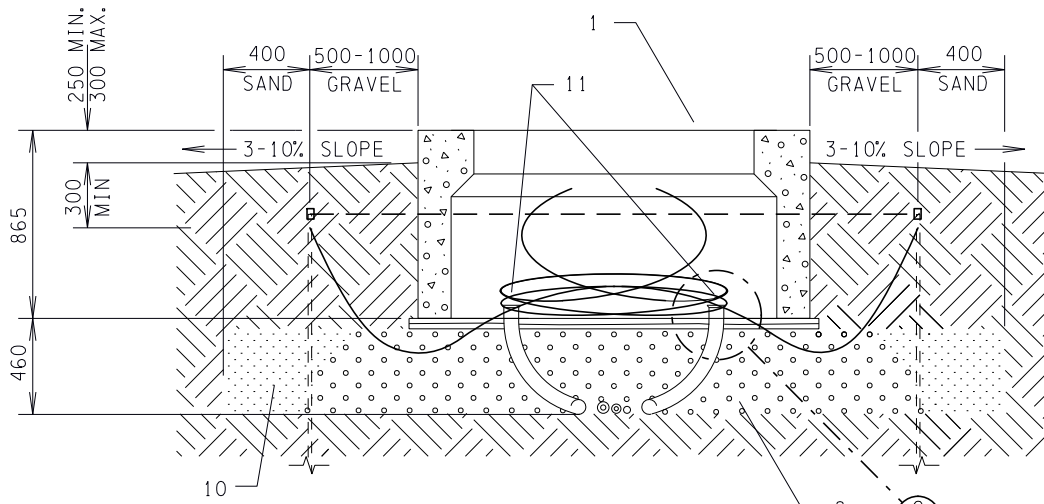
INSTALLATION OF PRECAST CONCRETE
BASE FOR 4-WAY 3 PHASE 25 kV
SWITCHING CUBICLE (ALL VARIANTS)

DATE REVISED:
2016-12-06

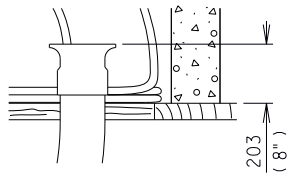
DRAWING NO. :
005

REFERENCE NO.
65 CC 07 25 23 132

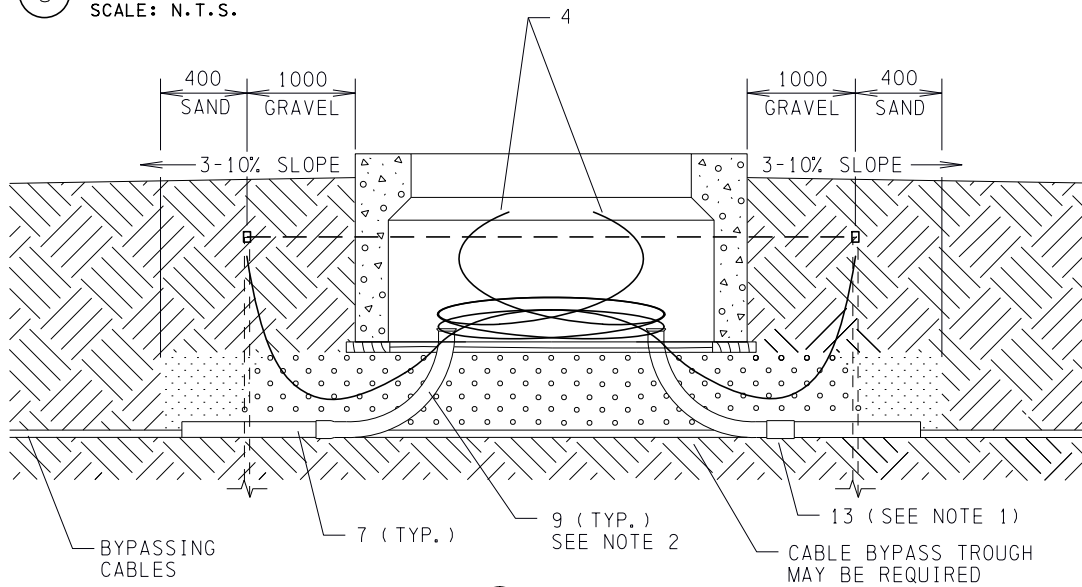
PAGE NO.
1/5



(A) SECTION
SCALE: N.T.S.



(C) DETAIL
SCALE: N.T.S.



(B) SECTION
SCALE: N.T.S.

NOTES:

1. ADAPTER COUPLING IS REQUIRED FOR DB2 CONDUIT.
2. 36" RADIUS BENDS ARE PREFERRED FOR ALL DUCT BENDS.

ALL DIMENSIONS IN MILLIMETERS (INCHES) UNLESS OTHERWISE SPECIFIED.



**CUSTOMER CONNECTION
GUIDE**

**INSTALLATION OF PRECAST CONCRETE
BASE FOR 4-WAY 3 PHASE 25 kV
SWITCHING CUBICLE (ALL VARIANTS)**

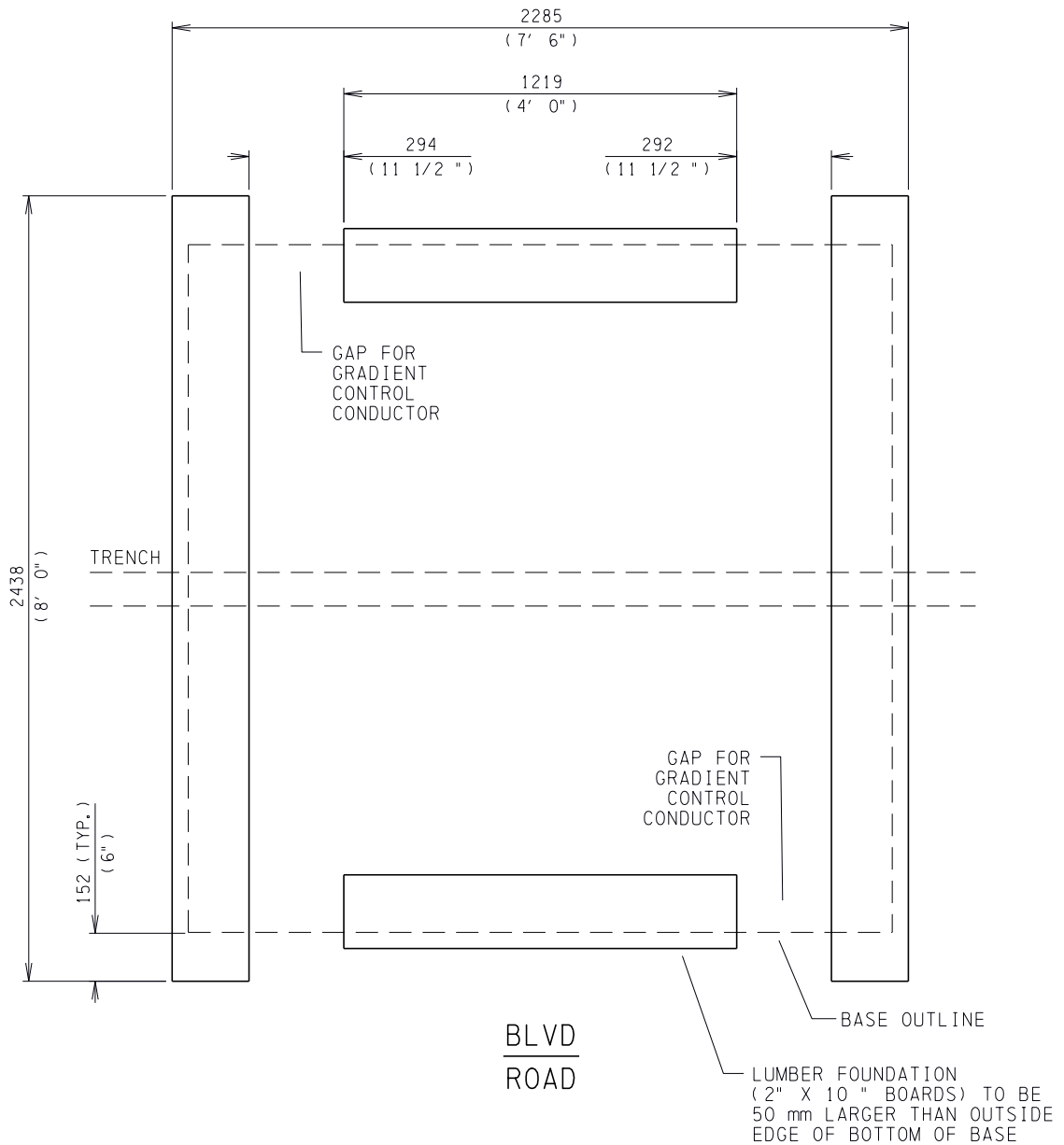
DATE REVISED:
2016-12-06

DRAWING NO. :
005

REFERENCE NO.
65 CC 07 25 23 132

PAGE NO.
2/5

20170126 15:29 rlawrie



 LUMBER FOUNDATION
SCALE: N.T.S.

NOTES:

1. LUMBER FOUNDATION SHOULD BE 2" x 10" PRESSURE TREATED SPRUCE WITH 2 - 2438 mm AND 2 - 1219 mm LENGTHS (50 mm MAXIMUM LEDGE ON OUTSIDE).
2. RE-TREAT CUT ENDS OF LUMBER FOUNDATION BOARDS WITH COPPER NAPHTHANATE WOOD PRESERVATIVE.

ALL DIMENSIONS IN MILLIMETERS (INCHES) UNLESS OTHERWISE SPECIFIED.

20170126 15:24 r lawrie

EPCOR
CUSTOMER CONNECTION
GUIDE

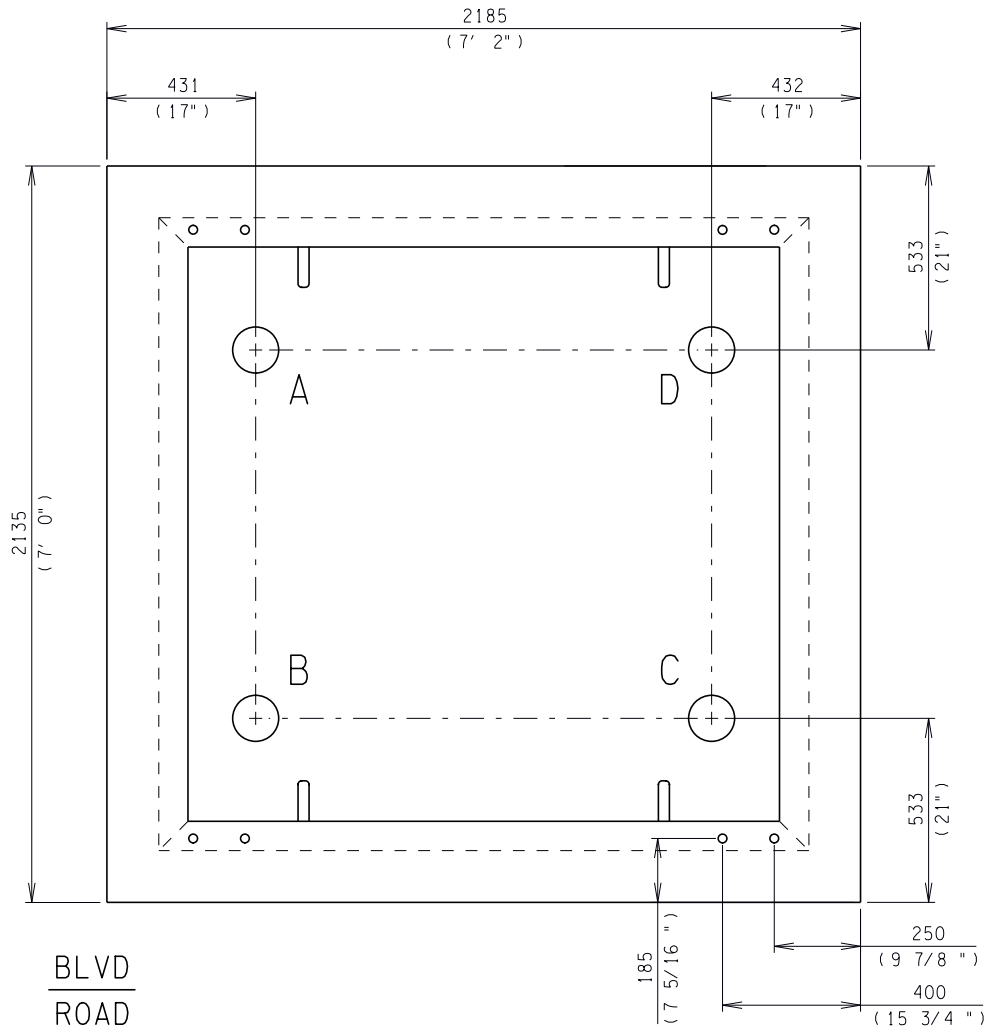
INSTALLATION OF PRECAST CONCRETE
BASE FOR 4-WAY 3 PHASE 25 kV
SWITCHING CUBICLE (ALL VARIANTS)

DATE REVISED:
2016-12-06

DRAWING NO. :
005

REFERENCE NO.
65 CC 07 25 23 132

PAGE NO.
3/5



PIPE LOCATIONS
SCALE: N.T.S.

NOTES:

1. ALL PIPES SHOULD BE DB2 OR RIGID PVC, BENDS TO BE RIGID PVC.
2. DUCT SIZES AS PER STANDARD 63 00 07 00 37 001.
3. ALL MEASUREMENTS ARE TO THE OUTSIDE "TOP" OF THE BASE.

ALL DIMENSIONS IN MILLIMETERS (INCHES) UNLESS OTHERWISE SPECIFIED.



CUSTOMER CONNECTION
GUIDE

INSTALLATION OF PRECAST CONCRETE
BASE FOR 4-WAY 3 PHASE 25 kV
SWITCHING CUBICLE (ALL VARIANTS)

DATE REVISED:
2016-12-06

DRAWING NO. :
005

REFERENCE NO.
65 CC 07 25 23 132

PAGE NO.
4/5

20170126 15:30 rlawrie

ITEM	PART DESCRIPTION	STOCK No.	QTY.
1	BASE PRECAST 600 AMP 25 KV 4-WAY 3 PHASE DEADFRONT SWITCHING CUBICLE	17253	1
2	ROD GROUNDING 5/8" x 5' (SEE NOTE 8)	17288	8
3	CONNECTOR GROUND ROD 3/4" - 250 DOUBLE WIRE	9136	2
4	WIRE #4/0 STRANDED COPPER BARE	45655	36m
5	LUMBER SPRUCE PRESSURE-TREATED - 2" x 10" x 8' PWF (RE-TREAT CUT ENDS)	13235	3
6	CONNECTOR GROUND 3/4" ROD - 250 1/C	31914	2
7	PIPE DUCT	AS REQ' D	A/R
	DB2 - 4"	53283	
	DB2 - 6"	42236	
	RIGID PVC - 4"	10083	
	RIGID PVC - 6"	10692	
8	ROAD CRUSH - 3/4"	N/A	A/R
9	BENDS RIGID PVC	AS REQ' D	4
	4" - 90 DEGREE 24" RADIUS PLAIN ENDS	44327	
	4" - 90 DEGREE 36" RADIUS PLAIN ENDS	22960	
	6" - 90 DEGREE 36" RADIUS PLAIN ENDS	17787	
10	SAND	N/A	A/R
11	END BELL COLLAR	AS REQ' D	A/R
	RIGID PVC - 4"	20574	
	RIGID PVC - 6"	20889	
12	COUPLER - GROUND ROD	17289	4
13	COUPLING ADAPTER	AS REQ' D	A/R
	4" DB2 TO 4" PVC	38916	
	6" DB2 TO 6" PVC	10284	

20170126 15:24 r lawrie



**CUSTOMER CONNECTION
GUIDE**

**INSTALLATION OF PRECAST CONCRETE
BASE FOR 4-WAY 3 PHASE 25 KV
SWITCHING CUBICLE (ALL VARIANTS)**