

PLAN VIEW  
SCALE: N.T.S.

**NOTES:**

1. INTERCONNECTING GRADIENT CONTROL CONDUCTORS SHALL BE INSTALLED A MINIMUM OF 300 mm BELOW FINAL FINISHED GRADE (NOT ROUGH GRADE) WITH ONE LEG CONTINUOUS AROUND THE PERIMETER AND INTO THE BASE WITH AN ADDITIONAL CONTINUOUS CONDUCTOR TAIL ATTACHED FROM THE OPPOSITE CORNER.
2. USE FINE FILL CLAY BACKFILL AROUND GROUND GRID.
3. ENSURE TOP OF BASE IS BETWEEN 250 mm AND 300 mm FROM FINAL FINISHED GRADE (NOT ROUGH GRADE).
4. CABLES ARE TO BE INSTALLED THROUGH DUCTS ONLY.
5. RETAIN 5.0 m OF COILED 4/0 Cu FOR CONNECTION TO GROUND BUS.
6. PRIMARY CABLES ARE TO BE INSTALLED WITH 8 m COILED IN BASE PRIOR TO TERMINATION AND A MINIMUM OF ONE COMPLETE PERIMETER LOOP AFTER TERMINATION.
7. THE DUCTING SHOULD BE INSTALLED SO THAT THE ENDS ARE POINTING DIRECTLY UPWARDS WITH THE TOP OF THE END BELL 200 mm ABOVE THE PLANKS/BASE BOTTOM. SPARE DUCTS TO BE CAPPED AND TAPED.
8. ADDITIONAL GROUND ROD MAY BE REQUIRED TO ACHIEVE A RESISTANCE OF 6 OHMS OR LESS.
9. THE BASE SHALL BE INSTALLED SUCH THAT THE TOP SURFACE IS LEVEL.
10. BASE WEIGHT: 2400 kg (5291 lbs).

ALL DIMENSIONS IN MILLIMETERS (INCHES) UNLESS OTHERWISE SPECIFIED.

20170126 15:18 rlawrie

**EPCOR**  
CUSTOMER CONNECTION  
GUIDE

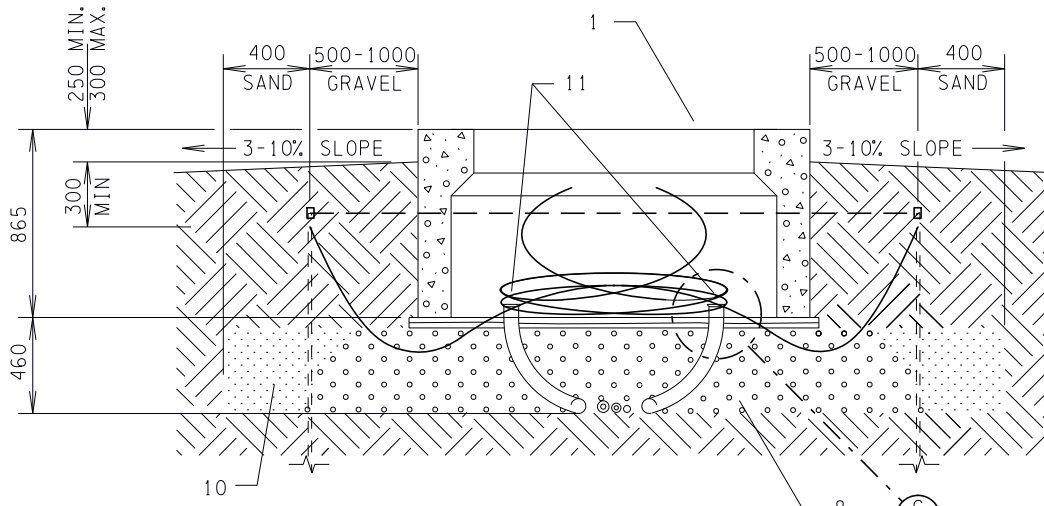
INSTALLATION OF PRECAST CONCRETE  
BASE FOR 4-WAY 3 PHASE 15 kV  
SWITCHING CUBICLE (ALL VARIANTS)

DATE REVISED:  
2016-12-06

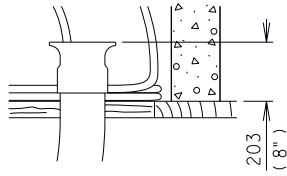
DRAWING NO. :  
004

REFERENCE NO.  
65 CC 07 15 23 132

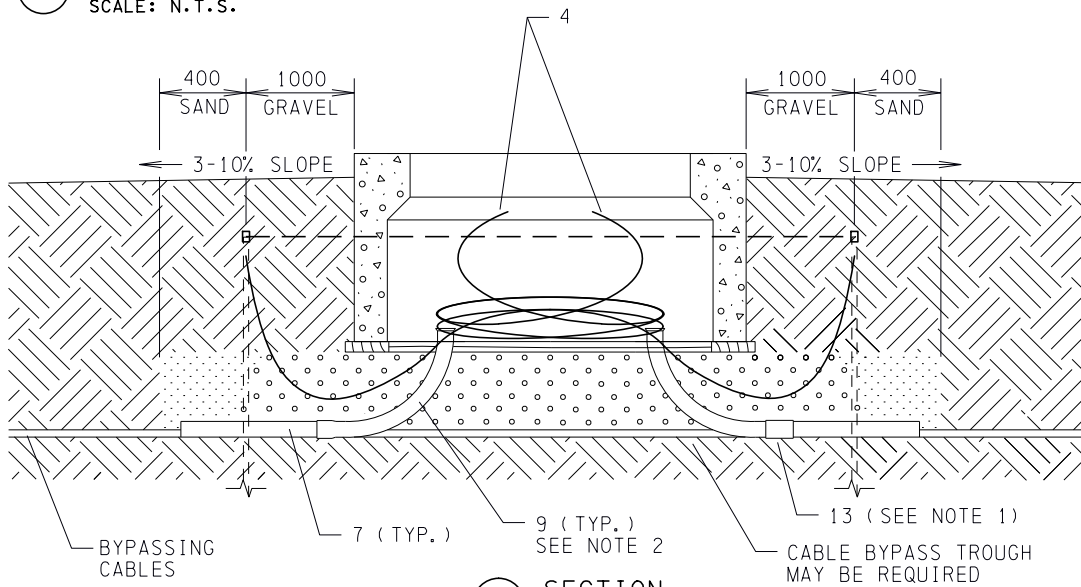
PAGE NO.  
1/5



**(A) SECTION**  
SCALE: N.T.S.



**(C) DETAIL**  
SCALE: N.T.S.



**(B) SECTION**  
SCALE: N.T.S.

**NOTES:**

1. ADAPTER COUPLING IS REQUIRED FOR DB2 CONDUIT.
2. 36" RADIUS BENDS ARE PREFERRED FOR ALL DUCT BENDS.

ALL DIMENSIONS IN MILLIMETERS (INCHES) UNLESS OTHERWISE SPECIFIED.



**CUSTOMER CONNECTION  
GUIDE**

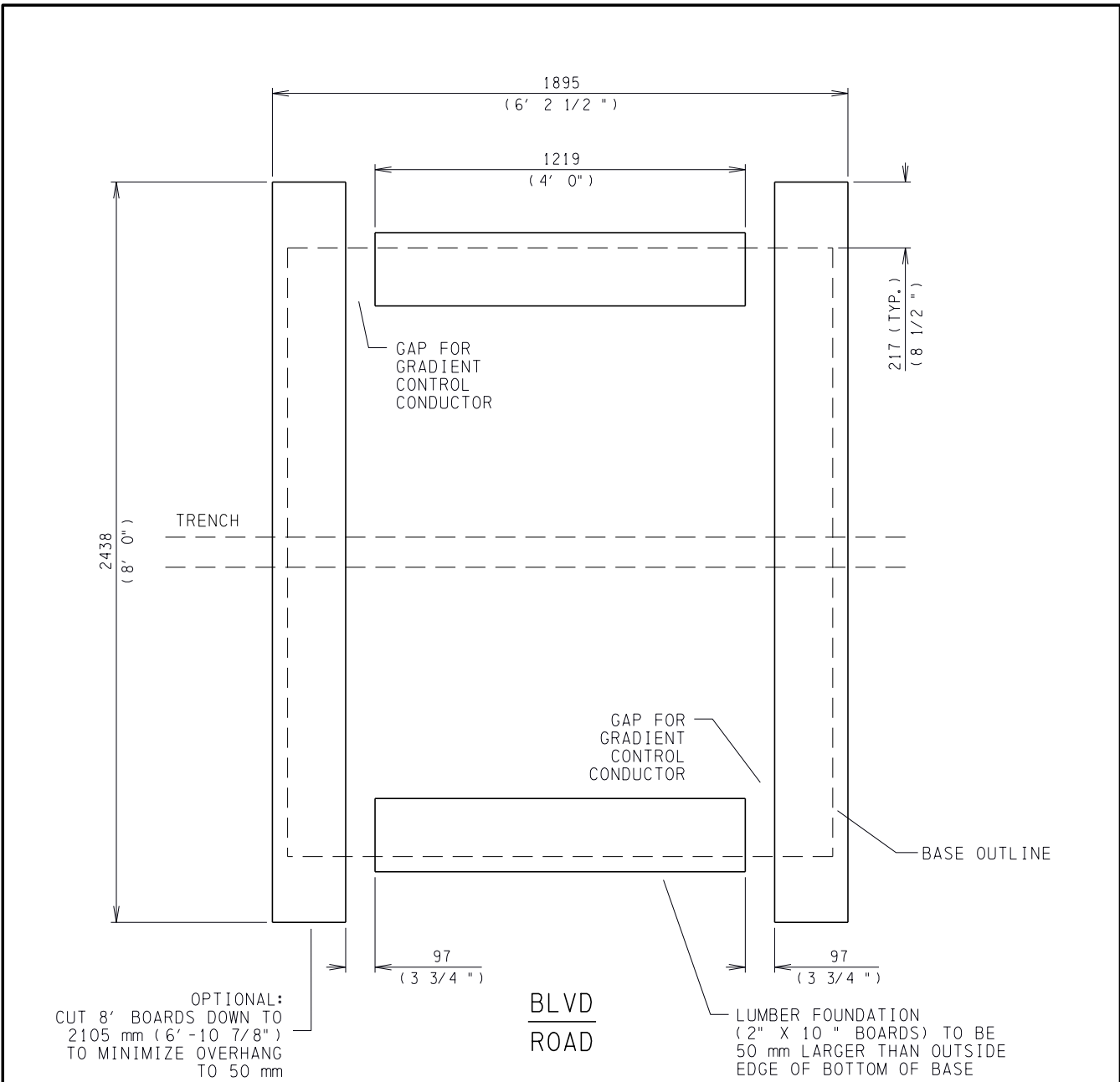
**INSTALLATION OF PRECAST CONCRETE  
BASE FOR 4-WAY 3 PHASE 15 kV  
SWITCHING CUBICLE (ALL VARIANTS)**

DATE REVISED:  
2016-12-06

DRAWING NO. :  
004

REFERENCE NO.  
**65 CC 07 15 23 132**

PAGE NO.  
2/5



OPTIONAL:  
CUT 8' BOARDS DOWN TO  
2105 mm (6' -10 7/8")  
TO MINIMIZE OVERHANG  
TO 50 mm

BLVD  
ROAD

LUMBER FOUNDATION  
(2" X 10" BOARDS) TO BE  
50 mm LARGER THAN OUTSIDE  
EDGE OF BOTTOM OF BASE


 LUMBER FOUNDATION  
SCALE: N.T.S.

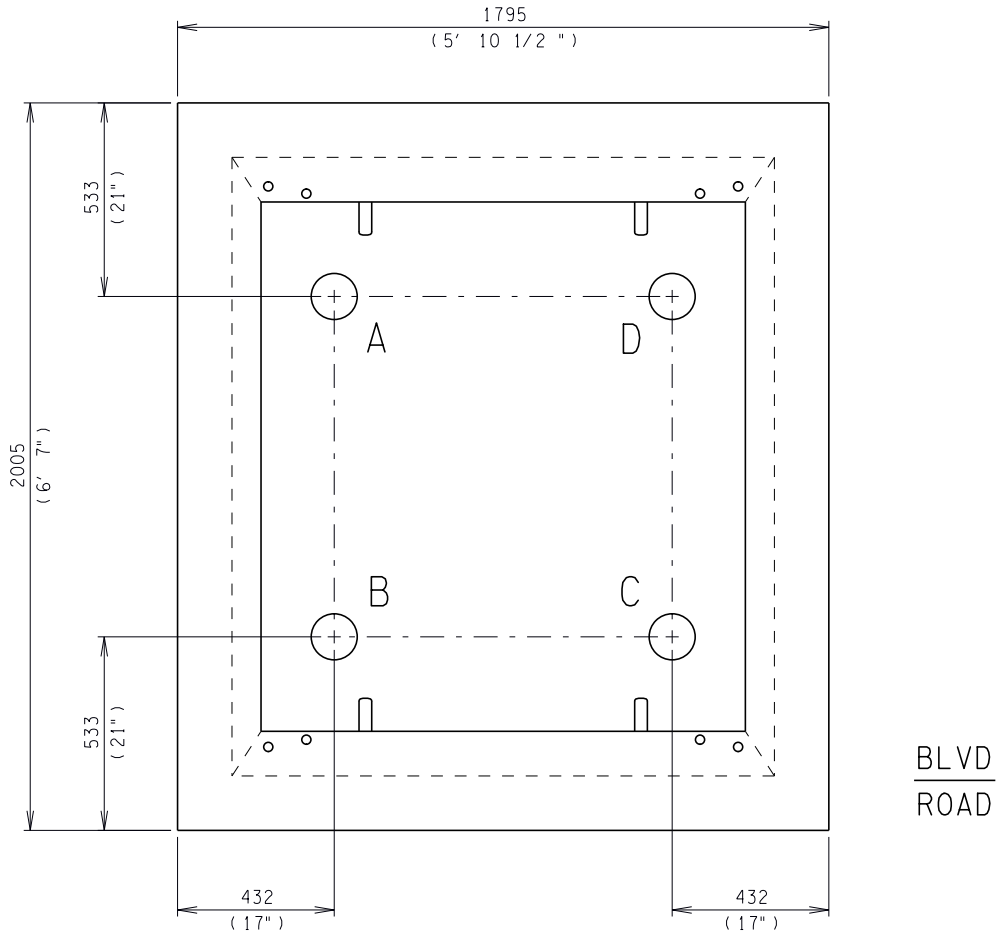
**NOTES:**

1. LUMBER FOUNDATION SHOULD BE 2" x 10" x 8' PRESSURE TREATED SPRUCE WITH 2 - 2438 mm AND 2 - 1219 mm LENGTHS (50 mm MAXIMUM LEDGE ON OUTSIDE) (RE-TREAT ALL CUT ENDS).
2. RE-TREAT CUT ENDS OF LUMBER FOUNDATION BOARDS WITH COPPER NAPHTHANATE WOOD PRESERVATIVE.

ALL DIMENSIONS IN MILLIMETERS (INCHES) UNLESS OTHERWISE SPECIFIED.

20170126 15:18 rlawrie

 <p><b>CUSTOMER CONNECTION GUIDE</b></p>		<p>INSTALLATION OF PRECAST CONCRETE BASE FOR 4-WAY 3 PHASE 15 kV SWITCHING CUBICLE (ALL VARIANTS)</p>	
DATE REVISED: 2016-12-06	DRAWING NO. : 004	REFERENCE NO. 65 CC 07 15 23 132	PAGE NO. 3/5



PIPE LOCATIONS  
SCALE: N.T.S.

**NOTES:**

1. ALL PIPES SHOULD BE DB2 OR RIGID PVC, BENDS TO BE RIGID PVC.
2. ALL MEASUREMENTS ARE TO THE OUTSIDE "TOP" OF THE BASE.

ALL DIMENSIONS IN MILLIMETERS (INCHES) UNLESS OTHERWISE SPECIFIED.



**CUSTOMER CONNECTION  
GUIDE**

**INSTALLATION OF PRECAST CONCRETE  
BASE FOR 4-WAY 3 PHASE 15 kV  
SWITCHING CUBICLE (ALL VARIANTS)**

DATE REVISED:  
2016-12-06

DRAWING NO. :  
004

REFERENCE NO.  
65 CC 07 15 23 132

PAGE NO.  
4/5

