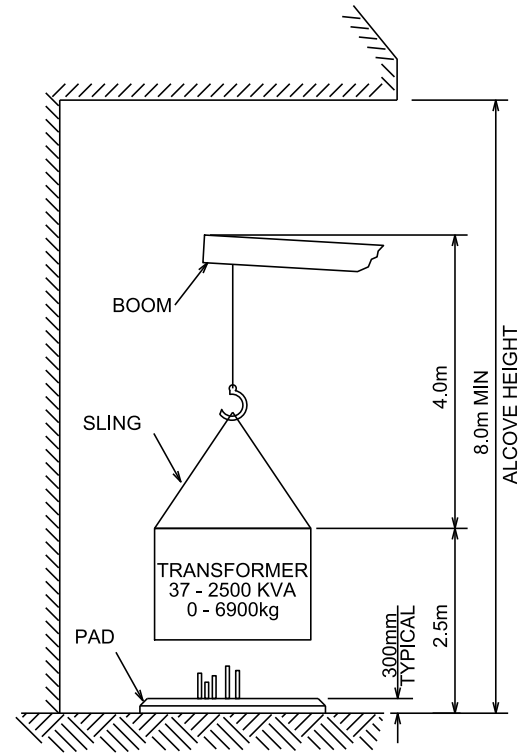
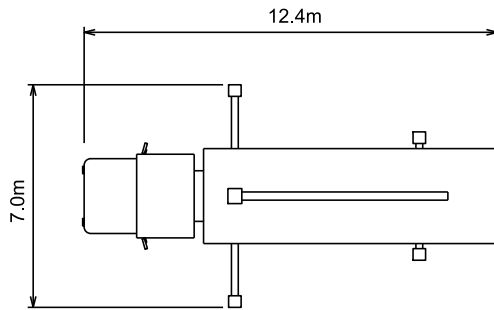


PLAN



ELEVATION



WEIGHT = 18,000 kg
PLUS TRANSFORMER WEIGHT (UP TO 6900kg)

CRANE TRUCK DETAIL

NOTE:

1. IF TRANSFORMER BASE IS MORE THAN 300mm ABOVE GRADE, ADDITIONAL ROOM HEIGHT MAY BE REQUIRED (i.e. DEPENDS OF TRANSFORMER SIZE). CONTACT EDTICES FOR REVIEW AND APPROVAL

20170126 14:40 r lawrie



CUSTOMER CONNECTION
GUIDE

TYPICAL TRANSFORMER ALCOVE LAYOUT

DATE REVISED:
2014-09-29

DRAWING NO. :
003

REFERENCE NO.
65 CC 07 00 27 100

PAGE NO.
1 / 1